

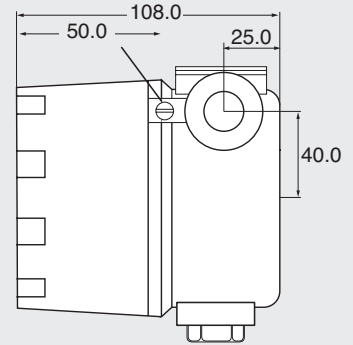
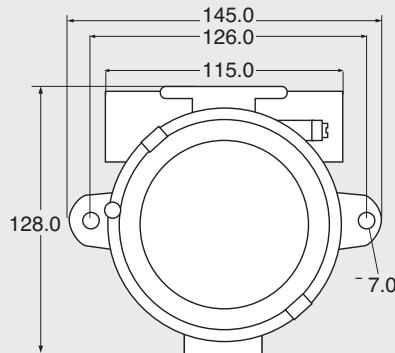
WatchGas XDI-F6

HAZARDOUS AREA GAS DETECTOR

Specification Sheet ref C959 B v.1



XDI-F6 + Sensor
Universal Fitting



JUNCTION BOX

Type - XDI

Flame proof

Classification

II 2G Ex db IIC T6...T5 Gb

II 2D Ex tb IIIC T85°C...T100°C Db

Certificate

Certificate No. FTZU-10ATEX0164X

Lid/Base

Thread type with lock screw - 2mm

Ingress Protection

IP63 + water shield IP65

Material

Body & Cover aluminium alloy

Option - stainless steel

Finish

Standard - chemically resistant epoxy paint

Option - marine grade finish

Entries

Two entry

20mm 1.5 pitch standard

alternative 25mm ¾ NPT

Mounting Detail

Two M5 (126mm CRS)

Weight

XDI-1.2Kg XDI-win-1.5kg

Approx. Dimensions

XDI: 115mm W x 108mm H

XDI-win: 115mm W x 130mm H

Temperature

-15°C to +55°C - safe area use

For hazardous area use see temperature ranges on C1227 (Ex certification summary)

DETECTOR HEAD

Type - F6

Data Sheet Ref C994

Classification

ATEX/IECEx Exd IIC T6 - T3

Ex tb IIIC T85°C - T200°C

Certificate

Sira-08ATEX 1313X

IECEx SIR 08.0123X

Ingress Protection

IP63 + water shield IP65

Sensor Inserts

Electrochemical

Pellistor catalytic

Mounting Thread

20mm 1.5mm Pitch

Material

Stainless Steel 316 S16

Accessories

Universal Fitting Pt No. 003-060
(weather cone/test gas fitting)

Collector Cone Pt No. 003-062
& Universal Fitting

Flow Block Pt No. 003-063