



User Manual

SST4 Micro, SST4 Mini, SST4 Pump & SST5

Multi Gas Detectors

Contents

Safety Information - Read First

1. Introduction

- [1.1. SST Range Multi Gas Products Description](#)
- [1.2. What's In the Box](#)
- [1.3. Configuration WatchGas Device Link App](#)
- [1.4. Battery Cautions](#)
- [1.5. Charging the Battery](#)
- [1.6. Charge Battery and Replace Sensors](#)
- [1.7. Sensor Poisons and Contaminants](#)

2. Overview of Detector

- [2.1. How to Tap a Unit](#)
- [2.2. Overview of the SST4 Micro and Mini](#)
- [2.3. Overview of the SST4 Pump](#)
- [2.4. Overview of the SST5](#)
- [2.5. Display Elements of the SST4](#)
- [2.6. Display Elements of the SST5](#)
- [2.7. Pushbutton](#)

3. Activating the Detector

- [3.1. Start-up Process](#)
 - [3.1.1. Self-Test](#)
 - [3.1.1.1. Self-Test Pass](#)
 - [3.1.1.2. Self-Test Fail](#)
 - [3.1.2. Battery Test](#)
 - [3.1.3. Audible / Visual Test](#)
 - [3.1.4. Alarm Setpoints](#)
- [3.2. Main Menu Functionality](#)
- [3.3. Gas Exposures](#)
 - [3.3.1. Calculated Gas Exposures](#)
 - [3.3.2. Viewing Gas Exposures](#)
 - [3.3.3. Clearing Peak Gas Exposures](#)
- [3.4. Alarm Setpoints](#)
 - [3.4.1. Factory Alarm Setpoints](#)
 - [3.4.2. Changing Alarm Setpoints](#)
 - [3.4.3. Latched or Auto Alarms](#)
- [3.5. Deactivating the Detector](#)

4. Configurations

- [4.1. WatchGas Device Link App Overview Device Configuration](#)
 - [4.1.1. Installing the WatchGas Device Link App](#)

- [4.1.2. Device Setup Via the WatchGas Device Link App](#)
- [4.1.3. Hardware/Firmware Revision](#)
- [4.2. File Function Single Device Setup](#)
- [4.3. Function Settings](#)
 - [4.3.1. User Options](#)
 - [4.3.2. Alarm Reset](#)
 - [4.3.3. Heartbeat](#)
 - [4.3.4. Confidence Beep](#)
 - [4.3.5. Silence Mode](#)
 - [4.3.6. Alarm Mute](#)
 - [4.3.7. Low Alarm Acknowledgement](#)
 - [4.3.8. Backlight Mode](#)
 - [4.3.9. Datalog Interval](#)
 - [4.3.10. Scan Protect and Password](#)
 - [4.3.11. Enable Compliance Interval](#)
 - [4.3.12. Monitor Always On](#)
 - [4.3.13. Zero Cal on Start](#)
 - [4.3.14. Safe Mode](#)
 - [4.3.15. Auto Cal](#)
 - [4.3.16. Inert](#)
 - [4.3.17. Language Menu](#)
- [4.4. Sensor Setting](#)
 - [4.4.1. Sensor Configuration](#)
 - [4.4.2. Combustible Sensor](#)
 - [4.4.3. Oxygen Sensor](#)
 - [4.4.4. Toxic Sensors](#)
 - [4.4.5. Sensor Disabled](#)
- [4.5. Bump and Calibration Setting](#)
 - [Calibration](#)
 - [4.5.1. Calibration Enable Expire](#)
 - [4.5.2. Calibration Interval](#)
 - [4.5.3. Calibration Warning](#)
 - [4.5.4. Lock Unit On Calibration Expired](#)
 - [4.5.5. Calibration Due Warning \(Optional\)](#)
 - [4.5.6. Calibration Due Date \(Optional\)](#)
 - [4.5.7. Enable Bump Interval](#)
 - [4.5.8. Enable Bump Warning](#)
 - [4.5.9. Lock Unit On Bump Expired](#)
 - [4.5.10. Bump Test Speed](#)
 - [4.5.11. Bump Interval](#)
 - [4.5.12. Force Bump When Overdue](#)
 - [4.5.13. Bump Test](#)
- [4.6. SST Pump Setting](#)

5. Bump and Calibration

- [5.1. Set Up Calibration Gas Bottle](#)
- [5.2. Connecting the Gas Cylinder To the Detector](#)
- [5.3. Setting Span Gas Concentration Values](#)
 - [5.3.1. Successful Span](#)
 - [5.3.2. Unsuccessful Span](#)
 - [5.3.3. Verification](#)
- [5.4. Calibration](#)
 - [5.4.1. Calibration Guidelines](#)
 - [5.4.2. Calibration Process](#)
 - [5.4.3. Fresh Air Calibration](#)
- [5.5. Bump](#)

6. Alarms and Notifications

- [6.1. Low Alarm](#)
- [6.2. Low Low Alarm](#)
- [6.3. High Alarm](#)
- [6.4. High High Alarm](#)
- [6.5. TWA Alarm](#)
- [6.6. STEL Alarm](#)
 - [6.6.1. STEL Interval](#)

7. Datalog and Eventlog

- [7.1. Datalogs](#)
- [7.2. Eventlogs](#)
- [7.3. Downloading Datalogs and Eventlogs](#)

8. Maintenance

- [8.1. Maintenance Screen WatchGas Device Link App](#)
 - [8.1.1. PPM*Hours](#)
 - [8.1.2. Peak Reading](#)
 - [8.1.3. Factory Calibration](#)
 - [8.1.4. Last Calibration](#)
 - [8.1.5. Last Calibration Date](#)
 - [8.1.6. Last Bump Date](#)
 - [8.1.7. Serial Number](#)
 - [8.1.8. Last Run Time](#)
 - [8.1.9. Number of Charges](#)
 - [8.1.10. Minimum Temperature](#)
 - [8.1.11. Maximum Temperature](#)
 - [8.1.12. Alarm Minutes](#)
- [8.2. Update Firmware](#)
- [8.3. Replacing a Sensor or Sensor Filter](#)
- [8.4. Removing the Back Casing](#)
- [8.5. Replacing the Sensor Filter](#)

- [8.6. Replacing Sensors](#)
- [8.7. Sensor Signal](#)
- [8.8. SST4 Pump Replacement](#)

9. Troubleshooting

- [9.1. Failure Codes](#)

10. SST5 Xs Sensor, SST5 HCN Sensor Selection, SST5 ETO Sensor, LEL NDIR Sensor, and SST5 Cl₂ Sensor

- [10.1 SST5 Xs Sensor](#)
- [10.2 SST5 HCN Sensor Selection](#)
- [10.3 SST5 ETO Sensor](#)
- [10.4 LEL NDIR Sensor](#)
- [10.5 SST5 Cl₂ Sensor](#)

11. Spare Part List

- [11.1 SST4 Micro and Mini Spare Parts and Accessories List](#)
- [11.2. SST4 Pump Spare Parts and Accessories List](#)
- [11.3 SST5 Spare Parts and Accessories List](#)

12. Contact Details

Safety Information - Read First

To ensure personal safety, read **Safety Information - Read First** and the **Cautions** before using the detector.

The **SST4 Micro**, **SST4 Mini**, **SST4 Pump**, and **SST5** (“the detector”) warns of hazardous gas at levels above user-defined alarm setpoints. The detector is a personal safety device. It is your responsibility to respond properly to the alarm.

Use the detector only as specified in this guide and the operator’s manual, otherwise the usage and protection provided by the detector may be impaired.

Read the **Warning** and **Cautions** below before using the detector.

Warning

- Ensure the monitor is switched on and the sensor and audible port are unobstructed prior to use.
- This detector is a personal safety device. It is your responsibility to respond properly to any alarm conditions.
- Do not use the device if it appears to be damaged. Always inspect it before use and look for blocked filters and physical damage.
- Periodically test the response of the sensors by exposing the detector to a target gas concentration that exceeds the alarm set point. Manually verify that the audible, vibration and visual alarms are activated.
- For safety reasons, this equipment must be operated and serviced by qualified personnel only.
- Do not attempt to replace the internal components. This will void the intrinsic safety rating and will void the warranty of the product. (Unless replaced by a WatchGas-approved service technician using original WatchGas parts.)
- Deactivating the detector by removing the battery pack may cause improper operation and harm to the detector.
- The Li-ion battery in this product presents a risk of fire, explosion, and chemical burn if misused. Do not disassemble, incinerate, or heat above 212°F (100°C). Batteries exposed to heat at 266°F (130°C) for 10 minutes can cause fire and explosion.
- Batteries must only be charged in a safe area free of hazardous gas.
- Only use WatchGas chargers. Using other Non-Approved chargers can lead to fire and/or explosion. (The Wireless charger used in conjunction with the equipment must be a suitably approved SELV/PELV supply with a maximum voltage not exceeding 5 V.)
- This instrument contains a lithium polymer battery. Do not disassemble and do not dispose of in fire. Do not mix with the solid waste stream.
- Used batteries must be disposed of by a qualified recycler or hazardous materials handler.

Cautions

- All inspections should be performed in a clean and hazardous-free environment.
- The detector can be cleaned with a soft damp cloth using a neutral cleaner (i.e. ACL Staticide). NOTE: Do not use solvents, soaps, or polishes
- This product is a gas detector, not a measuring device.

- For optimal performance, periodically zero the sensor in a normal atmosphere (20.9% v/v O₂) that is free of hazardous gas.
- The equipment is intended for use in hazardous atmosphere in air with normal oxygen content not exceeding 21% v/v (typical value).
- The equipment shall only be charged wirelessly in non-explosive atmosphere.
- The end-user shall contact the equipment manufacturer if the antistatic film applied is damaged.
- The internal battery is non-replaceable. The internals must not be accessed by the end user by any means.
- Um for wireless charging ≤ 5 V.
- Before using the detector, refer to [Sensor Poisons and Contaminants](#)
- Use only WatchGas approved batteries for the SST4 and SST5 detectors. Refer to **Specifications**.
- Charge the detector before first-time use. WatchGas recommends the detector to be charged a minimum of 1 hour.
- Charge the detector using the recommended charging adapter only. Do not use any other charging adapter. Failure to adhere to this caution can lead to fire and/or explosion.
- Extended exposure of the detector to certain concentrations of combustible gases and air may stress a detector element that can affect its performance. If an alarm occurs due to high concentration of combustible gases, calibrate the detector. If necessary, replace the sensor.
- Do not test the combustible sensor's response with a butane cigarette lighter; doing so will damage the sensor catalytic LEL sensor.
- Do not expose the detector to electrical shock and/or severe continuous mechanical shock.
- Do not attempt to disassemble, adjust, or service the detector unless instructions for that procedure are provided in the technical reference guide, and/or that part is listed as a replacement part. Use only WatchGas replacement parts. Refer to [Spare Parts List](#).
- The detector warranty will be voided if customers, personnel, or third parties damage the detector during repair attempts.
- Inspect the detector before use. Look for cracks and/or missing parts. **DO NOT USE** the device if it is damaged and/or is missing parts. In that case, contact WatchGas or an authorized WatchGas distributor immediately.
- Only use sensor(s) that are specifically designed for the SST4/SST5. Refer to [Spare Parts List](#).
- Calibrate the detector before first-time use and then on a regular schedule, depending on use and sensor exposure to poisons and contaminants.
- WatchGas recommends to "bump test" the sensors on a regular basis depending on the usage model to confirm their ability to respond to gas by exposing the detector to a gas concentration that exceeds the alarm setpoints. Manually verify that the audible and visual alarms are activated. Calibrate if the readings are not within the specified limits.
- WatchGas recommends the catalytic combustible sensor be checked with a known concentration of calibration gas after any known exposure to catalyst contaminants/poisons (sulfur compounds, silicon vapors, halogenated compounds, etc.).
- The catalytic combustible sensor is factory calibrated to 50% LEL methane. If monitoring a different combustible gas in the % LEL range, calibrate the sensor using the appropriate gas.
- Overrange readings may indicate an explosive concentration.
- Protect the combustible sensor from exposure to lead compounds, silicones, and chlorinated hydrocarbons.
- Sensor exposure to certain organic vapors (such as leaded gasoline and halogenated hydrocarbons) may temporarily inhibit sensor performance. After exposure, a bump test or calibration is recommended.
- Any rapid up-scaling reading followed by a declining or erratic reading may indicate a gas concentration beyond upper scale limit, which may be hazardous

1. Introduction

1.1 SST Range Multi Gas Products Description

SST4 Micro

Four gas device that uses a 3 Solid Polymer Sensor (O₂/CO/H₂S/SO₂) and an LPC (Low Powered Catalytic) for the detection for hydrocarbons. Built-in NFC and induction charging with a one working week runtime, this device offers a rugged and compact design without compromising on features like the display and alarm indicators.

SST4 Mini

Very similar to its slightly smaller SST Micro counterpart, the SST Mini offers an optional NDIR or traditional high-powered catalytic bead as the detection method for LEL. This is done through our WatchGas Device Link App.

SST4 Pump

Pumped four gas device with our on in-house designed pump allows a draw of up to 30 meters (100 feet). Ideal for confined space entry or sampling of tanks, ship holds, and LPG units. Coupled with our wide range of accessories, sampling is now easier than ever before.

SST5

Our five gas device, which is the same size and weight as that of the SST4 Mini. This small, compact, rugged solution offers a wide range of sensors to support your gas detection needs.

1.2 What's In the Box

The content below provides are the standard items included with the detector. If the detector is damaged or parts are missing, contact the place of purchase immediately. *The detector is shipped with the sensors and rechargeable battery installed.*

	Device	Calibration Cap	Tubing	Induction Charger	Quick Start Guide	Inspection Report	Sample Tubing	Pump Connector
SST4 Micro	✓	✓	✓	✓	✓	✓		
SST4 Mini	✓	✓	✓	✓	✓	✓		
SST4 Pump	✓	✓	✓	✓	✓	✓	✓	✓
SST5	✓	✓	✓	✓	✓	✓		

Table 1. What's in the box

1.3 Configuration WatchGas Device Link App

The detector is configured through the WatchGas Device Link App. The app can be downloaded from [Google Play](#) and the [App Store](#), or by scanning the QR code below.



1.4 Battery Cautions

Warning

To avoid personal injury and/or property damage, adhere to the following:

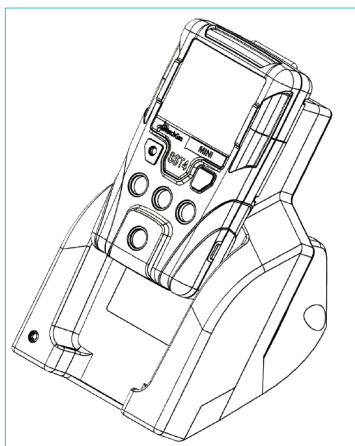
- The detector must be deactivated to charge the battery.
- Charge the battery immediately when the detector emits a low battery alarm. Refer to [Charging the Battery](#).
- Charge the battery in a safe area that is free of hazardous gas in temperatures of 0°C to 45°C (32°F to 113°F).
- Charge the battery using the WatchGas Multi-Unit Cradle Charger or charger adapter only. Do not use any other charging adapters. Failure to adhere to this caution can lead to fire and/or explosion.
- The charging adapter is voltage-specific to your region. Use of a charging adapter outside your region will damage the charger and the detector.
- Do not calibrate the detector during or immediately after charging the battery.
- The battery can only be replaced by the manufacturer. Failure to adhere to this caution can lead to fire and/or explosion.
- The SST4/SST5 uses a lithium battery that may present a risk of fire or chemical burn hazard if misused.
- Do not disassemble, heat above 212° (100°C), or incinerate.
- Lithium polymer cells exposed to heat at 266°F (130°C) for 10 minutes can cause a fire and/or explosion.

NOTE: To replace the battery, contact WatchGas or an authorized distributor. The battery can only be replaced by the original manufacturer part, which is **SST4-MIC-MIN-BAT** for the **SST4 Micro**, the **SST4 Mini**, and the **SST5**, and **SST4-PUMP-BAT** for the **SST4 Pump**.

1.5 Charging w/SST Induction Cradle Charger

In addition to the Induction Disk Charger included with each detector, the SST Range of products can be charged in the **WatchGas SST Induction Cradle Charger** (sold separately). To charge the detector, refer to Figure 1., Table 2., and the steps below.

NOTE: The detector must be charged in a safe area that is free of hazardous gas, in temperatures of 0°C to 45°C (32°F to 113°F).



1. Deactivate the detector.
2. Plug the charging adapter into an AC outlet.
3. The charging LED light should then turn on and be RED.
4. Place the SST Range detector into the charger.
5. If placed correctly, the LED light on the charger should blink RED and the device will indicate that it is charging on its display.
6. Allow the battery to charge per battery specifications.
7. The display will indicate the charge percentage (%).

Figure 1. Charging the battery

Item	Description
1	Detector
2	Charging adapter
3	Charging cable
4	Wireless charging

Table 2. Connecting the wireless charger

Warning

The detector will not charge in temperatures above 45°C (113°F).

1.6 Charge Battery and Replace Sensors

To replace the battery, contact WatchGas or an authorized distributor. The battery can only be replaced with the original manufacturer part number. To charge the battery and replace the sensors and/or the sensor filter, refer to the following:

- [Battery Cautions](#)
- [Replacing a Sensor or Sensor Filter](#)

To order replacement parts, refer to [Spare Parts List](#).

To become familiar with the features and functions of the detector, *refer to the following figures and tables*:

- [Figure 4. & Table 3.](#), [Figure 5. & Table 4.](#), and [Figure 6. & Table 5](#) describes the detector's components.
- [Figure 7. and Table 6.](#), [Figure 8. & Table 7.](#) describes the detector's display elements.
- [Chapter 2.7.](#) describes the detector's pushbutton.

1.7 Sensor Poisons and Contaminants

Several cleaners, solvents, and lubricants can contaminate and cause permanent damage to the sensors. Before using cleaners, solvents, and lubricants in close proximity to the detector sensors, read the following cautions and refer to the lists below.

Caution

Use only the following WatchGas recommended products and procedures:

- Use water-based cleaners.
- Use non-alcohol-based cleaners.
- Clean the exterior of the detector with a soft, damp cloth.
- Do not use soaps, polishes, or solvents.

Below are common products **to avoid** using around sensors:

1. Cleaners and Lubricants:

- Brake cleaners
- Lubricants
- Rust inhibitors
- Window and glass cleaners
- Dish soaps
- Citrus-based cleaners
- Alcohol-based cleaners
- Hand sanitizers
- Anionic detergents
- Methanol (fuels and antifreezes)

2. Silicones:

- Silicone cleaners and protectants
- Silicone-based adhesives, sealants, and gels
- Hand/body and medicinal creams containing silicone
- Tissues containing silicone
- Mold releasing agents
- Polishes

3. Aerosols:

- Bug repellents and sprays
- Lubricants
- Rust inhibitors
- Window cleaners

2. Overview of Detector

Configuration of the SST Range is done with the WatchGas Device Link App. The app can be downloaded from [Google Play](#) and the [App Store](#), or by scanning the appropriate QR code in [Section 1.3](#). You can read more about the app [on our website](#).



For detailed information on the WatchGas Device Link App, refer to the [WatchGas Device Link App manual](#).

2.1 How to Tap a Unit

First, ensure that your phone has NFC capability.

The NFC is located on the back of the detector - just below the alligator clip.



Figure 2. NFC location

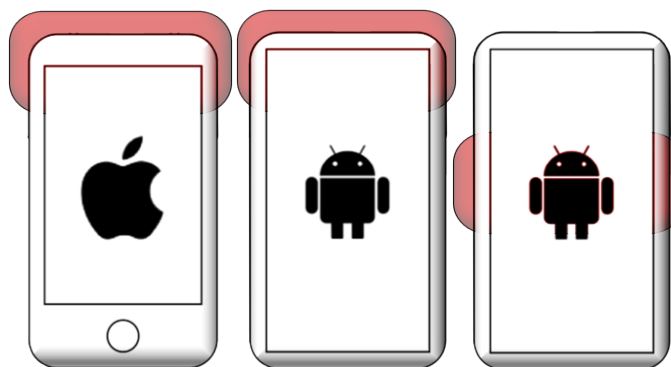


Figure 3. Tap a unit

Locate the NFC on your phone (normal locations shown). The phone gives a clear visual indication when the NFC connects.

NOTE: Make sure the detector's battery is charged prior to use.

2.2 Overview of the SST4 Micro and Mini

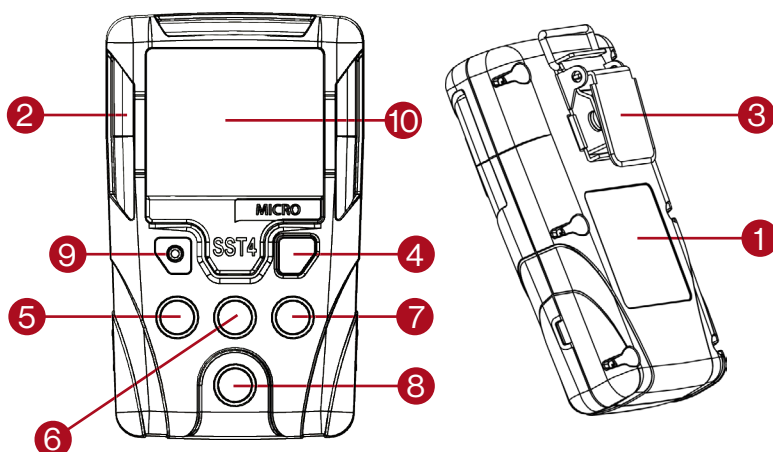
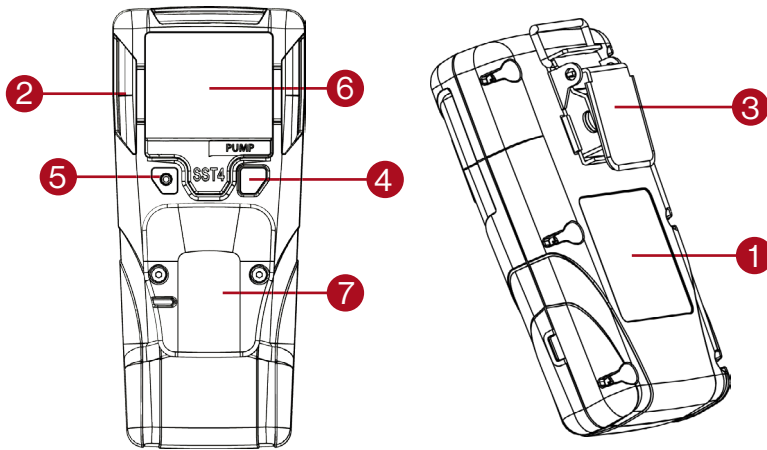


Figure 4. Overview of the SST4 Micro and Mini

Symbols	Description
1	Wireless charger and NFC
2	Visual alarm indicators (LEDs)
3	Alligator clip
4	Pushbutton
5	Oxygen (O ₂) Sensor
6	Carbon Monoxide (CO) Sensor
7	Hydrogen Sulfide (H ₂ S) Sensor
8	Combustible (LEL) Sensor
9	Audible alarm
10	Liquid crystal display (LCD)

Table 3. Overview of the SST4

2.3 Overview of the SST4 Pump

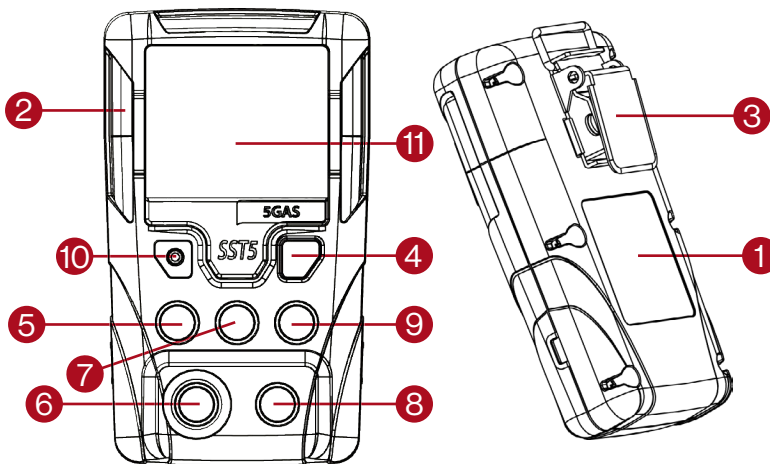


Symbols	Description
1	Wireless charger and NFC
2	Visual alarm indicators (LEDs)
3	Alligator clip
4	Pushbutton
5	Audible alarm
6	Liquid crystal display (LCD)
7	Pump plate

Table 4. Overview of the SST4 Pump

Figure 5. Overview of the SST4 Pump

2.4 Overview of the SST5



Symbols	Description
1	Wireless charger and NFC
2	Visual alarm indicators (LEDs)
3	Alligator clip
4	Pushbutton
5	Oxygen (O ₂) Sensor
6	5th Sensor
7	Carbon Monoxide (CO) Sensor
8	Combustible (LEL) Sensor
9	Hydrogen Sulfide (H ₂ S) Sensor
10	Audible alarm
11	Liquid crystal display (LCD)

Table 5. Overview of the SST5

Figure 6. Overview of the SST5

2.5 Display Elements of the SST4



Figure 7. SST4 display

Symbols	Description
ALARM	Alarm Notification
LOW	Low Alarm
HIGH	High Alarm
STEL	Short Term Exposure Alarm
TWA	Time Weighted Average Alarm
2	Indicates LOW LOW or HIGH HIGH alarm. 3rd alarm level
H2S	Hydrogen sulfide Sensor
SO2	Sulfur dioxide Sensor
CO	Carbon monoxide Sensor
O2	Oxygen Sensor
IR	NDIR LEL
LPC	Low Power Catalytic
CAT	Catalytic bead LEL sensor
☺	Product Compliant
☹	Product Non-Compliant
CAL	Calibration Required
BUMP	Bump Required
📶	NFC in Communication
🔋	Battery level
🔇	Mute
ppm	Parts Per Million
mg/m³	Milligrams per Cubic Meter
LEL%	Percentage LEL
O2%	Percent VOL
inert	Inert mode active only for SST4 Pump with NDIR sensor

Table 6. SST4 Display Elements

2.6 Display Elements of the SST5

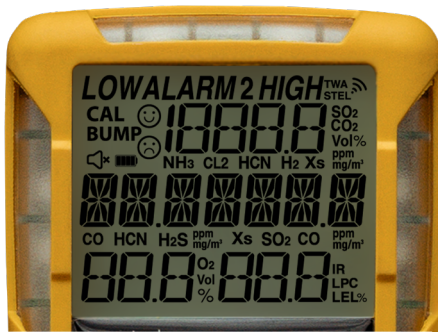


Figure 8. SST5 display

Symbols	Description
ALARM	Alarm Notification
LOW	Low Alarm
HIGH	High Alarm
STEL	Short Term Exposure Alarm
TWA	Time Weighted Average Alarm
2	Indicates LOW LOW or HIGH HIGH alarm. 3rd alarm level
HCN	Hydrogen cyanide Sensor
H₂S	Hydrogen sulfide Sensor
SO₂	Sulfur dioxide Sensor
CO	Carbon monoxide Sensor
O₂	Oxygen Sensor
NO₂	Nitrogen dioxide Sensor
NO	Nitrogen monoxide Sensor
ETO	Ethylene oxide Sensor
CL₂	Chlorine Sensor
IR	NDIR LEL
LPC	Low Power Catalytic
CAT	Catalytic bead LEL sensor
☺	Product Compliant
☹	Product Non-Compliant
x_s	Xtox Sensor
NH₃	Ammonia Sensor
BUMP	Bump Required
📶	NFC in Communication
🔋	Battery level
🔇	Mute
ppm	Parts Per Million
mg/m³	Milligrams per Cubic Meter
LEL%	Percentage LEL
O₂%	Percent VOL
Vol%	Percent

Table 7. SST5 Display Elements

2.7 Pushbutton




Figure 9. Pushbutton

To activate the detector, press and hold the pushbutton and a 3 second countdown will start. Keep pressing the pushbutton until the countdown ends, after which the detector will then turn on.

To deactivate the detector, press and hold the pushbutton until the OFF countdown is complete and the LCD deactivates.

To view the TWA, STEL, and peak (maximum) readings, press the pushbutton twice.

To clear the peak readings, press the pushbutton when the LCD displays CLR.

To activate NFC, press the pushbutton for 2 seconds until a single beep and the NFC  icon is active in the upper right corner of the display.

To activate the backlight in normal operation, press the pushbutton.

To acknowledge latched alarms, press the pushbutton.

To acknowledge a low alarm and disable the audible alarm, press the pushbutton (if the Low Alarm Acknowledge option is enabled).

3. Activating the Detector

Caution

Only activate the detector in a fresh air environment and in a safe area.

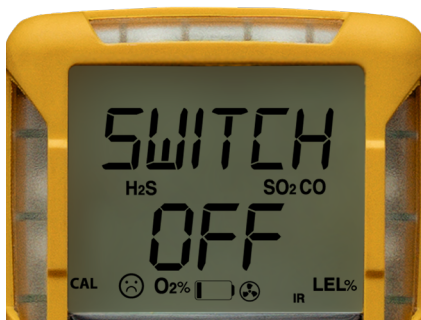
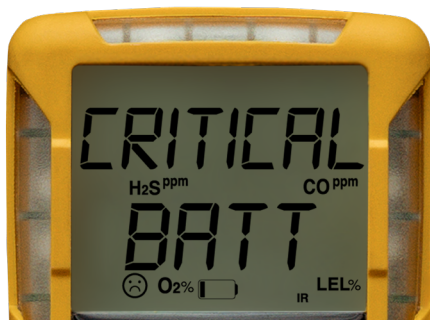
3.1. Start-Up Process



Press and hold the pushbutton for 3 seconds, the screen will show a countdown. After the countdown, the screen will show the current firmware version screen, followed by all user-critical information. Pay attention to the settings to make sure they are correct.

If the battery of the detector has more than 30 minutes capacity, the sensor will switch on and start to warm up.

NOTE: Make sure the battery is charged before use.



If the detector's battery has less than 30 minutes capacity, the Critical Battery Warning alarm will be displayed for 3 seconds on the screen, after which the detector will automatically switch off. If this happens, charge the detector.

3.1.1. Self-Test

The following startup tests are written as startup performance as intended. If an error occurs, refer to [Troubleshooting](#).

When the detector is activated, it performs several startup tests and displays all alarm settings for the user. Confirm that the following tests occur and that the settings are correct.

The detector then tests the sensors during warm up.



If an error message displays, refer to [Troubleshooting](#).

NOTE: The sensors are tested continuously while the detector is activated.

If the Calibration Interval option is set to OFF in the WatchGas Device Link App, the calibration due date is bypassed during operation.

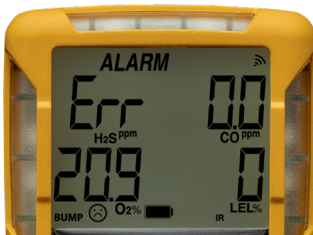
3.1.1.1. Self-Test Pass



When the detector has passed all startup self-tests, it enters normal operating mode. The LCD displays the ambient gas readings. The detector automatically begins:

- recording the peak (maximum) gas exposure,
- calculating the short-term exposure level (STEL),
- calculating the time-weighted average (TWA) exposures.

3.1.1.2. Self-Test Fail



If the following error message displays after entering normal operation, refer to [Troubleshooting](#).

The bump due warning screen can be set in the WatchGas Device Link App to either lock the unit and force the user to bump, or to simply alert the user about the overdue bump.

WARNING: the device must not be used when one or more channels shows the ERR message.

3.1.2. Battery Test

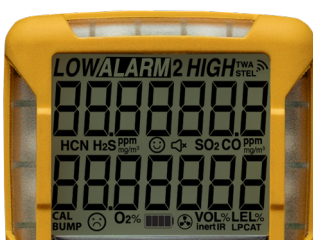


The detector performs a battery test during startup. If the battery has insufficient power to operate, or a fault, the battery fail screen displays.

Charge the battery for two hours before restarting the detector.

Refer to the [Charging the Battery](#) section.

3.1.3. Audible/Visual Test



1. All of the LCD elements display simultaneously as the detector beeps, flashes, vibrates, and activates the backlight.



2. The current firmware version of the detector then displays on the LCD.

3.1.4. Alarm Setpoints



3. Next, the TWA, STEL, low, and high alarm setpoints display.

NOTE: Alarm setpoints may vary by region.

Refer to the [Factory Gas Alarm Setpoints](#) section.

3.2. Main Menu Functionality

A short press of the pushbutton to turn the backlight on and indicate that the unit is responsive (also required for Safe Mode).



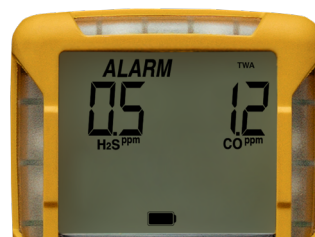
Two short pushbutton presses to move into the Main Menu.
Press the pushbutton again to move through different screens of the menu.



Show the current calculated STEL value.



Toggle between the STEL values screen and the 'STEL CLR?' screen.
Press and hold the pushbutton for 2 seconds to clear the STEL Value.
Or press the pushbutton again to skip to the next screen.



Show the current calculated TWA value.
If TWA is not enabled in the WatchGas Device Link App, it will not be shown in the sequence.
Calculated TWA values are cleared at switch off, or via the Main Menu.





Display the current peak values. Peak values are cleared at switch off, or in the Main Menu. STEL and TWA values are cleared on power off/on cycle.



To clear peak, press and hold the pushbutton.



Display days remaining until calibration due - **only** shown if the Calibration Enable Expiry is enabled via the WatchGas Device Link App, and the 'Calibration Days To' is equal or less than the Calibration Warning setting in the app.



Display days remaining until bump due - **only** shown if the Bump Enable Expiry is enabled via the WatchGas Device Link App, and the 'Bump Days To' is equal or less than the Bump Warning setting in the app.



If compliance interval is enabled and exceeded and Tap Due is active, the 'tap due' screen is shown.

If compliance interval is either not enabled or exceeded, this screen will not be shown.





If the LEL sensor is present, show the cross-calibration factor, selected via the WatchGas Device Link App.



Show the language selected via the WatchGas Device Link App.



Show the date.



Show the time.



Show the User ID as configured via the WatchGas Device Link App.



Show the Site ID as configured via the WatchGas Device Link App.

3.3. Gas Exposures

3.3.1 Calculated Gas Exposures

Warning

To avoid possible personal injury, do not deactivate the detector during a work shift. TWA, STEL, and MAX readings reset once the detector is deactivated.

Gas Exposures	Description
TWA SST4: H ₂ S, CO, and SO ₂ . SST5: H ₂ S, CO, SO ₂ , Cl ₂ , ETO, HCN, HCNF, NH ₃ , NO, NO ₂ , and Xs.	Time-weighted average (TWA) based on accumulated exposure to toxic gases averaged over a workday according to the US OSHA method. OSHA: 8 hour moving average.
STEL SST4: H ₂ S, CO, and SO ₂ . SST5: H ₂ S, CO, SO ₂ , Cl ₂ , ETO, HCN, HCNF, NH ₃ , NO, NO ₂ , and Xs.	Short-term exposure limit (STEL) to gas based on a 15 minute period.
Peak* (maximum)	Peak concentration encountered during work shift.

Table 8. Calculated Gas Exposures

* For oxygen (O₂), it is the highest, or the lowest concentration encountered.

3.3.2 Viewing Gas Exposures

To view the TWA, STEL, and peak (maximum) readings, press the pushbutton twice. The LCD first displays the TWA gas exposures. Then the LCD displays the STEL gas exposures. Finally, the LCD displays the peak (maximum) readings.

3.3.3 Clearing peak Gas Exposures

Caution

Follow all safety procedures as defined by your employer. Confirm with your supervisor before clearing TWA and STEL alarms.

To clear the peak exposure readings, press the pushbutton twice. Hold the pushbutton for 5 seconds.

Gas alarms are activated when detected gas concentrations are above or below the user-defined setpoints. Gas alarms are described below.

Alarm	Condition
Low	Toxics and combustibles: Ambient gas level above low alarm setpoint. Oxygen: Ambient gas level may be set above or below 20.9% (or 20.8%).
Low Low	For Oxygen 2 alarm levels.
High	Toxics and combustibles: Ambient gas level above high alarm setpoint. Oxygen: Ambient gas level may be set above or below 20.9% (or 20.8%).

High High	Toxics and combustibles: Ambient gas level above the high high alarm setpoint.
TWA	Toxics only: Accumulated value above the TWA alarm setpoint.
STEL	Toxics only: Accumulated value above the STEL alarm setpoint.
-Over Limit (-OL)	Toxics only: If sensor reading is negative.
Multi-gas	Two or more gas alarm conditions.
Over Limit (OL)	OL displays when readings are above or below the sensor detection range. Refer to Specifications for detection ranges.

Table 9. Gas Alarms

3.4. Alarm Setpoints

3.4.1 Factory Alarm Setpoints

NOTE: Standard factory alarm setpoints may vary by region.

Gas	Low	High	STEL	TWA
O₂	19.5% Vol	23.5% Vol	N/A	N/A
LEL	10% LEL	20% LEL	N/A	N/A
CO	35 ppm	200 ppm	100 ppm	20 ppm
H₂S	10 ppm	15 ppm	15 ppm	10 ppm
SO₂	5 ppm	10 ppm	5 ppm	2 ppm
HCN	5 ppm	10 ppm	4 ppm	4 ppm
HCNF	5 ppm	10 ppm	4 ppm	4 ppm
NH₃	25 ppm	50 ppm	35 ppm	25 ppm
NO₂	2 ppm	5 ppm	5 ppm	3 ppm
NO	25 ppm	50 ppm	50 ppm	25 ppm
Xs	25 ppm	50 ppm	50 ppm	25 ppm
ETO	5 ppm	10 ppm	10 ppm	5 ppm
Cl₂	0.5 ppm	1 ppm	1 ppm	0.5 ppm

Table 10. Factory Alarm Setpoints

NOTE: To disable an alarm, this is done in the WatchGas Device Link App.

3.4.2 Changing Alarm Setpoints

To change alarm setpoints, use the WatchGas Device Link App. Refer to [Section 4:](#)

- High Alarm
- High High Alarm
- Low Alarm
- Low Low Alarm
- TWA Alarm
- STEL Alarm

3.4.3 Latched or Auto Alarms

The low and high alarms stop when the ambient gas concentration returns to the acceptable range.

NOTE: If alarms are set to latch, press the pushbutton to reset the alarms.

The detector calculates the TWA value based on OSHA standards and the STEL value based on a user-defined 15 minute period.

To stop a TWA or STEL alarm, deactivate and then reactivate the detector, or reset via menu.

Warning

Follow all safety procedures as defined by your employer, and/or local regulations.

Confirm with your supervisor before clearing TWA and STEL alarms.

3.5. Deactivating the Detector

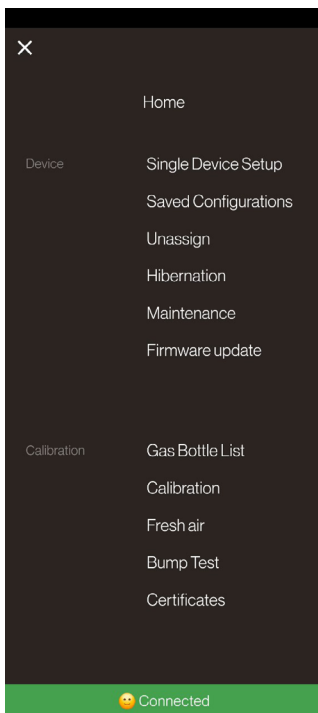
To deactivate the detector, press and hold the pushbutton. The detector initiates the deactivation countdown, and finally displays OFF before deactivating.

NOTE: If the pushbutton is released before the countdown is complete, the detector will not deactivate.

NOTE: If the detector is set up via the WatchGas Device Link App to be always on, the function must be changed via the WatchGas Device Link App to allow the unit to be switched off.

4. Configurations

4.1 WatchGas Device Link App Overview Device Configurations



4.1.1 Installing the WatchGas Device Link App

All set up for the SST4 and SST5 devices is done using the WatchGas Device Link App. Use the **service** password to get access to the Setup options. **NOTE:** this is the default password, it can be changed.

Either use a Saved Configuration file, or extract the settings from the device via the Single Device Setup option.

4.1.2 Device Setup Via the WatchGas Device Link App

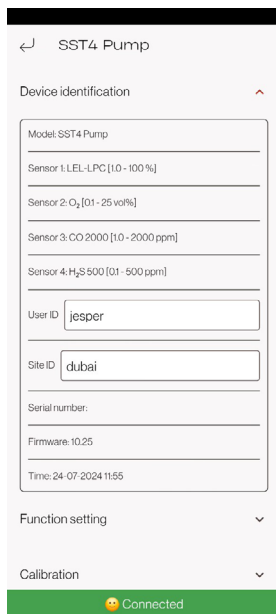
The Detector Identification section provides information about the detector, current firmware revision, and hardware revision. Data can also be entered (25 characters per line) to display as a start-up message on the detector LCD each time it is activated.

4.1.3 Hardware/Firmware Revision

The Hardware/Firmware Revision cannot be altered. The field automatically populates when the data is retrieved from the detector. If a new firmware version is downloaded to the detector, the field automatically updates when the data is retrieved.

The firmware version displays on the detector LCD during the startup self-tests.

4.2 File Function Single Device Setup



← SST4 Pump

Device identification

Model: SST4 Pump

Sensor 1: LEL-LPC [10 - 100 %]

Sensor 2: O₂ [01 - 25 vol%]

Sensor 3: CO 2000 [10 - 2000 ppm]

Sensor 4: H₂S 500 [01 - 500 ppm]

User ID: jesper

Site ID: dubai

Serial number:

Firmware: 10.25

Time: 24-07-2024 11:55

Function setting

Calibration

Connected

4.3. Function Settings

4.3.1. User Options

The user options section includes detector features that can be enabled or disabled. The green checkmark indicates that the option is enabled. Press the checkbox to disable the option.

4.3.2. Alarm Reset

If set to **Auto**, the alarm will automatically go away when the alarm goes away.

If set to **Latched**, the user needs to confirm the Alarm before it goes away.

The Alarm reset is set to **Auto** by default.


4.3.3. Heartbeat

When enabled, the Heartbeat indicates the device status with a green, blue, or red LED as per EN'60079-29. The Heartbeat Interval can be set in the WatchGas Device Link App and is **disabled** by default.

4.3.4. Confidence Bleep

When enabled, the Confidence Bleep indicates that the device is compliant. The tone's sound is 4300Hz and 150ms in length. The Confidence Rate can be set in the WatchGas Device Link App. The detector is shipped with Confidence Bleep **disabled** by default.

4.3.5. Silent Mode

When enabled, the backlight, visual alarms, and audible alarms are disabled on the detector. Displays If active, the  icon is displayed continuously on the LCD.

The detector is shipped with Silent Mode **disabled** by default.

4.3.6. Alarm Mute

If this function is active, pressing the pushbutton will **mute the alarms for 15 minutes**. If there are any new alarms during these 15 minutes, the alarm will activate.

The detector is shipped with Alarm Mute **disabled** by default.

4.3.7. Low Alarm Acknowledge

When enabled, the audible alarm can be **deactivated for 15 minutes** during a low alarm for the CO, H₂S, and LEL sensors. The LED and visual alarm indicators remain active until the alarm condition changes, or the detector deactivates.

Press the button to acknowledge the low alarm and deactivate the audible alarm.

NOTE: Low Alarm Acknowledge is not applicable to O₂.

The detector is shipped with Low Alarm Acknowledge **disabled** by default.

4.3.8 Backlight Mode

The backlight automatically activates:

- during startup;
- when the pushbutton is pressed (then deactivates after 5 seconds);
- when an alarm occurs;
- when there is an alarm condition (unless **Silent Mode** is enabled);
- If **backlight always on** is selected in the WatchGas Device Link App, then the backlight will be always on.
NOTE: this will result in a shorter run time of the device.

The detector is shipped with Backlight Mode **disabled** by default.

4.3.9. Datalog Interval

Enter a value (1-180 seconds). The default datalog interval is one reading every 30 seconds.

4.3.10. Scan Protect and Password

The **ScanProtect** function can be enabled to protect the device with a PIN code. When the ScanProtect is activated and you input the PIN code into the device, this will block any WatchGas Device Link App from reading the detector unless it first enters the correct PIN code. The detector is shipped with Scan Protect **disabled** by default.

4.3.11. Enable Compliance Interval

The **Compliance Interval** feature enables a reminder to the user to check in the detector on a Compliance Kiosk, SST Dock, or a WatchGas Device Link App. This function allows the safety manager to monitor the detector's health, and to see if there is a fault on the detector and if the detector is in use. The detector is shipped with Compliance Interval **disabled** by default.

4.3.12. Monitor Always On



This function disables the power down function and will display LOCKED if power down is attempted.

The detector is shipped with Monitor Always On **disabled** by default.

4.3.13. Zero Cal on Start

When enabled, the sensors automatically zero during the startup self-tests. The Auto-Zero on Start-up option is applied to all sensors.

Click the checkbox of each sensor that will be auto zeroed during startup.

The detector is shipped with the Zero Cal on Start **disabled** by default.

4.3.14. Safe Mode



When enabled, SAFE displays continuously on the LCD unless an alarm condition occurs. The Safe Mode provides visual confirmation that no (monitored) hazardous gas is present.

The detector is shipped with Safe Mode **disabled** by default.

4.3.15 Auto Cal

When enabled, it allows for Calibration without using the WatchGas Device Link App. To perform an Auto Cal:

1. Press and hold the pushbutton until the unit powers down.
2. Keep the pushbutton pressed until a Zero Calibration begins.
3. After the end of the Zero Calibration the device is now Zero Calibrated.
4. Next, users will be asked to confirm Span Calibration. If Span Calibration isn't confirmed, the detector will return to normal mode.
5. If Span Calibration is confirmed by pressing and holding the pushbutton, the unit will begin the Span Calibration process. The unit will show a countdown, but this countdown will not begin until the device has sensed the calibration gas.
6. Connect the calibration gas to the device as shown in [Section 5.2](#) and wait until the countdown has ended. The device will then show Span Cal Pass. Verify that the result is the same as on the gas bottle. If the device fails Calibration, or if the reading in the display does not match the calibration gas bottle concentration, then the device needs to be serviced by an authorized service center.

NOTE: No Calibration Certificate will be issued using the Auto Cal procedure.

The detector is shipped with Auto Cal **disabled** by default.

NOTE: Auto Cal is not available on the SST5.

4.3.16 Inert

When the SST4 pump version is equipped with a NDIR LEL sensor, the Inert mode can be activated.

The Inert mode reverses the Oxygen alarm, so the monitor will go into alarm if the oxygen levels are above the set threshold.

4.3.17. Language Menu

The detector can display warnings and notifications in seven different languages, with more planned to come.

Pick a language. When the settings are loaded to the detector, the LCD will then display warnings and notifications in the selected language.

The detector is shipped with English set as the default language.

4.4. Sensor setting

4.4.1. Sensor Configuration

Settings for the sensors are configured individually.

Enter values, or enable / disable options. Refer to [Factory Gas Alarm Setpoints](#) for setpoint values.

NOTE: Depending upon the sensor, the options may vary.

4.4.2. Combustible Sensor

Sensor 1 – allows to enable or disable the sensor, as well as to change the sensor configuration.

NOTE: this shall only be performed by a trained technical professional, as the sensor needs to match the electronics.

NOTE: certain LEL sensor gas selections have the option to switch from LEL% to vol% 4.4 or vol% 5.

Measured gas - if the measured gas is different than the calibration gas, the reading and the alarms can be expressed in the form of a gas equivalent reading, but this does not make the sensor specific to this gas.

Low alarm set point - this alarm is the first level alarm.

High alarm set point - this alarm is the second level of the alarm.

High high alarm set point - this alarm is the third level of alarm.

These alarm levels are critical for different user actions.

4.4.3. Oxygen Sensor

Sensor 2 – allows to enable or disable the oxygen.

NOTE: this shall only be done by a trained technical professional, as the sensor needs to match the electronics.

Low alarm set point - this alarm is the first level alarm.

Low Low alarm set point - this alarm is the second level of alarm low oxygen levels. Note that this function can be disabled.

High alarm set point - this alarm is for increased oxygen levels.

4.4.4. Toxic Sensors

Sensors 3 and 4 – allows to enable or disable the sensors, as well as to change the sensors' configurations.

NOTE: this shall only be done by a trained technical professional, as the sensors need to match the electronics.

Low alarm set point - this alarm is the first level alarm.

High alarm set point - this alarm is the second level of alarm.

High High alarm set point - this alarm is the third level of alarm.

These alarm levels are critical for different user actions.



4.4.5. Sensor Disabled

Warning

Use extreme caution when disabling a sensor. The disabled sensor cannot detect and go into alarm against the applicable gas any more.

1. Click Sensor in the WatchGas Device Link App.
2. Click the Sensor name checkbox for the required sensor.
3. Select not fitted and the sensor data will disappear.
4. Click the Save button located at the bottom of the window.
5. Load the setting to the device via NFC, and the LCD will automatically update. The gas type and sensor readings no longer display on the LCD for the applicable sensor.
6. Enable the sensor as soon as possible. If the sensor is damaged, replace it immediately. Refer to [Replacing a Sensor or Sensor Filter](#).

4.5. Bump and Calibration setting

4.5.1. Enable Calibration Interval

When the Enable Calibration Interval feature is enabled, the detector will remind the user that calibration has expired.

4.5.2 Calibration Interval

Caution

WatchGas recommends that the sensors be calibrated on a regular basis, depending on the usage model.

Define how often a sensor should be calibrated in the Calibration Interval field. A different calibration interval can be defined for each sensor.

1. Enable Expiry.
2. Enter the value (0-365 days) for each sensor.
3. Enter warning.
4. Select if the unit shall lock on calibration expire.

The detector is shipped with the factory default set to 180 days.

4.5.3. Calibration Warning

When the Enable Calibration Warning feature is enabled, the detector will remind the user how many days are left before the calibration expires.

4.5.4. Lock Unit On Calibration Expired



When enabled, if a sensor(s) is past due, the sensor(s) must be calibrated immediately, otherwise the detector will be locked.

Enable the Lock Device on Expire feature to ensure calibrations are performed regularly and sensors are operating correctly. The following screen displays during the startup sequence when the option is enabled and the sensor(s) is overdue. If this feature is active, the unit will lock and not be able to be used until it is calibrated.

4.5.5. Calibration Due Warning (Optional)



The following screen displays the number of days remaining before calibration is due. The number of days that displays is when the next sensor calibration should be performed.

If the Calibration Interval option is defined as OFF in the WatchGas Device Link App, the calibration due date is bypassed during operation.

4.5.6. Calibration Due Date (Optional)



The following screen displays shows calibration is due. The user can select whether or not to LOCK the detector until it is calibrated.

4.5.7. Enable Bump Interval

When the Enable Bump Interval feature is enabled, the detector will remind the user that bump is expired.

4.5.8. Enable Bump Warning

When the Enable Bump Warning feature is enabled, the detector will remind the user how many days are left before the bump expires.

4.5.9. Lock Unit On Bump expired

When the Lock Unit On Bump Expired feature is active, the unit will lock and not be able to be used until it has been bump tested.

4.5.10. Bump Test Speed

Fast pass at 50% of presented gas, medium pass at 70% of presented gas, and slow pass at 90% of presented gas.

NOTE: the slower the function, the more gas and time the test will take.

4.5.11. Bump Interval

Users can define how often a bump check should be performed for each sensor in the Bump Interval Field. A different bump interval can be defined for each sensor.

1. Enable Expiry.
2. Enter the value (0-365 days) for each sensor.
3. Enter warning.
4. Select if the unit will LOCK on calibration expire.

The detector is shipped with the factory default set to OFF.

4.5.12. Force Bump When Overdue



When enabled in the WatchGas Device Link App, if a sensor(s) is past due for a bump test, the sensor(s) must be bump tested immediately. Otherwise, the detector is locked.

A bump test should be performed regularly to ensure the sensors are responding correctly to the gas. The following screen displays when the option is enabled and the sensor(s) is overdue.

4.5.13. Bump Test

The bump test is activated via the WatchGas Device Link App and stored in the app automatically and as an event as well.



The bump due warning screen reminds the User to perform a bump prior to the bump overdue warning.

4.6. SST4 Pump Setting

The SST4 pump has an additional setting for the pump control. These are:

- **Vacuum Alarm** - Vacuum Alarm - measured in kPa (kilopascal), if this option is enabled, the SST4 Pump will stop and go into alarm when the vacuum in the pump goes over the set threshold. **NOTE:** If the pump is completely blocked, the unit will still go into alarm even if the Vacuum Alarm option has been turned off.
- **Pump min vacuum to pass block test** - the minimum kPa (kilopascal) vacuum needed for the pump to pass the block test.

5. Bump and Calibration

5.1. Calibration Setup

The following calibration procedures are written as calibration performance is intended. If an error or failure occurs, refer to [Troubleshooting](#).

Caution

Only calibrate in a fresh air environment and in a safe area. Do not calibrate the detector during or immediately after charging it.

5.2. Connecting the Gas Cylinder to the Detector

Refer to the following **Figure 10.**, **Table 11.**, and procedures on how to connect the gas cylinder to the detector for calibration.

NOTE: Wind currents may cause false readings and poor calibrations.

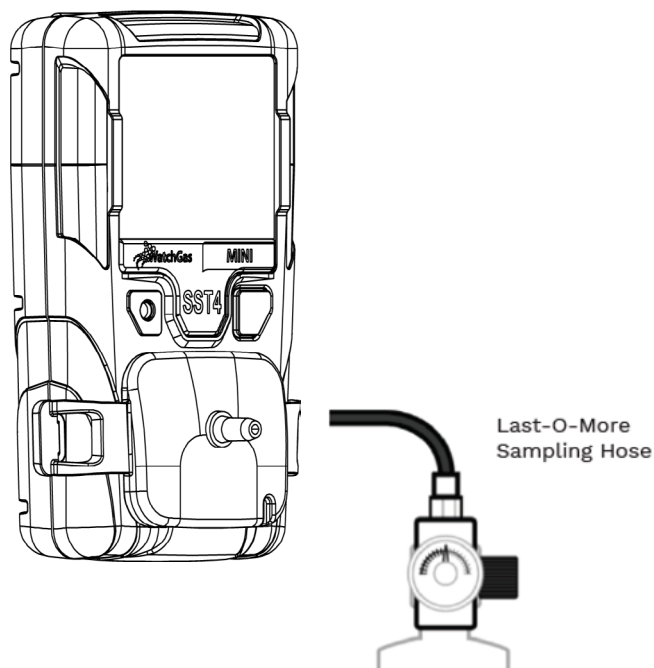


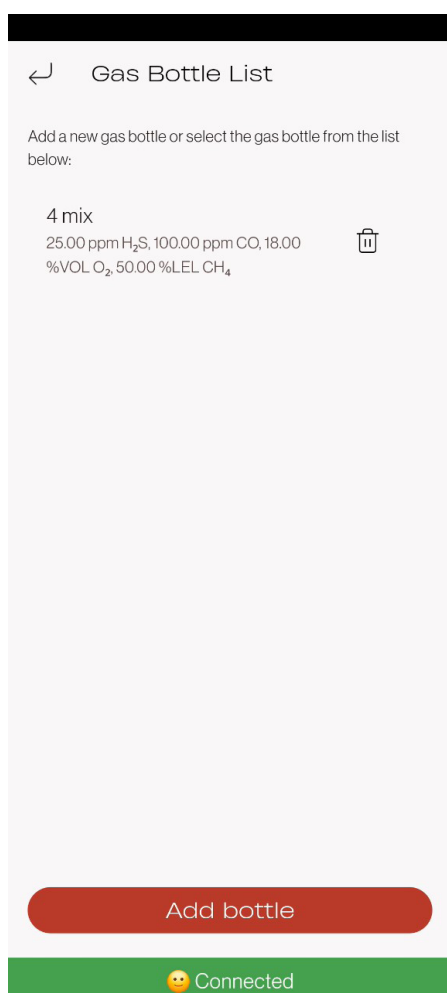
Figure 10. Connecting the Gas Cylinder to the Detector

Item	Description
1	Calibration cap
2	Calibration hose
3	Gas cylinder with 0.5 ml/min regulator
4	Mobile phone with the WatchGas Device Link App

Table 11. Connecting the Gas Cylinder to the Detector

1. Make sure the gas bottle is loaded in the gas bottle list in the WatchGas Device Link App.
2. Activate the calibration process from the WatchGas Device Link App.
3. Allow the device to finish the zero process.
4. Connect the other end of the calibration hose to the regulator on the gas cylinder.
5. Allow the span process to finish.
6. When calibration is complete turn off the gas and disconnect the hose from the calibration cap and regulator.
7. Tap the device to the WatchGas Device Link App to upload a calibration certificate and obtain the pass/fail result.
8. Ensure that the gas cylinder is stored according to the manufacturer's specifications.

5.3. Setting Span Gas Concentration Values



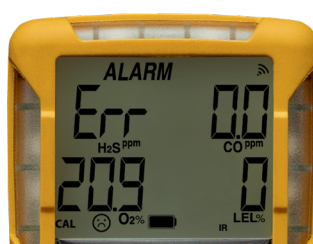
When a sufficient amount of gas has been detected, the detector completes the span (approximately two minutes).

5.3.1. Successful Span

If the sensors have spanned successfully, the detector beeps and the calibration procedure continues.

5.3.2. Unsuccessful Span

If any sensors fail the span, the following screen displays. Refer to [Troubleshooting](#).



If a sensor fails calibration, the next due date for that sensor will not reset. Refer to [Troubleshooting](#).

5.3.3. Verification

1. After calibration is complete and the detector returns to normal operation, verify the calibration using a gas cylinder other than the one used for calibration.
2. The gas concentration should not exceed the sensor's detection range. Confirm that the LCD shows the expected concentration.

3. To ensure the readings are accurate, apply the verification gas for the same amount of time as was applied to the sensor when it was calibrated.

Example: the H₂S span time is 90 seconds. Therefore, users need to apply the verification gas for 90 seconds.

5.4. Calibration

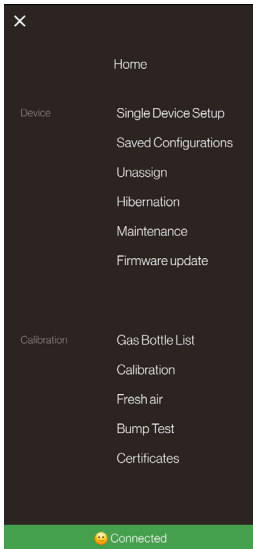
5.4.1. Calibration Guidelines

When calibrating the detector, adhere to the following guidelines:

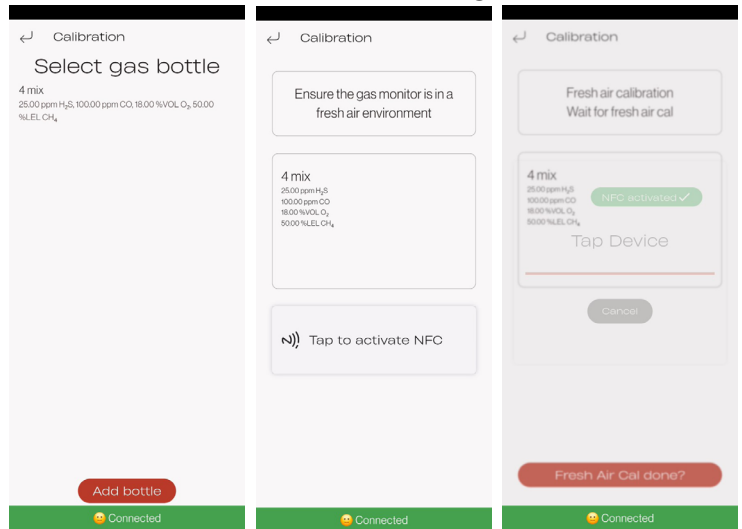
- Recommended gas mixture:
 - **CO:** 100 ppm balance N₂.
 - **H₂S:** 25 ppm balance N₂.
 - **LEL:** 50% LEL or 2.5% for NA (2.2% for EU) by vol. methane balance air.
 - **O₂:** 18% by volume, balance N₂.
 - **For all other gases,** the recommended balance is N₂.
- To ensure accurate calibration, use a premium-grade calibration gas. Gases approved by the National Institute of Standards and Technology (NIST) improve the accuracy of the calibration.
- Do not use a gas cylinder past its expiration date.
- Calibrate a new sensor before use. Install the sensor, activate the detector, and allow the sensor to stabilize before starting calibration (used sensor: 60 seconds / new sensor: 5 minutes, and for O₂ the stabilization process takes 30 minutes).
- Calibrate the sensors at least once, depending on use and sensor exposure to poisons and contaminants.
- Calibrate the detector if the gas readings varies during startup.
- Calibrate the sensor before defining the alarm setpoints.
- Calibrate only in a safe area that is free of hazardous gas in an atmosphere of 20.9% oxygen.
- Do not calibrate the detector during or immediately after charging is complete.
- Allow the detector to stabilize for 1 minute after activation before performing a calibration or bump test.
- If a certified calibration is required, print it from the WatchGas Device Link App.

5.4.2. Calibration Process

Step 1. Press the Calibration option.



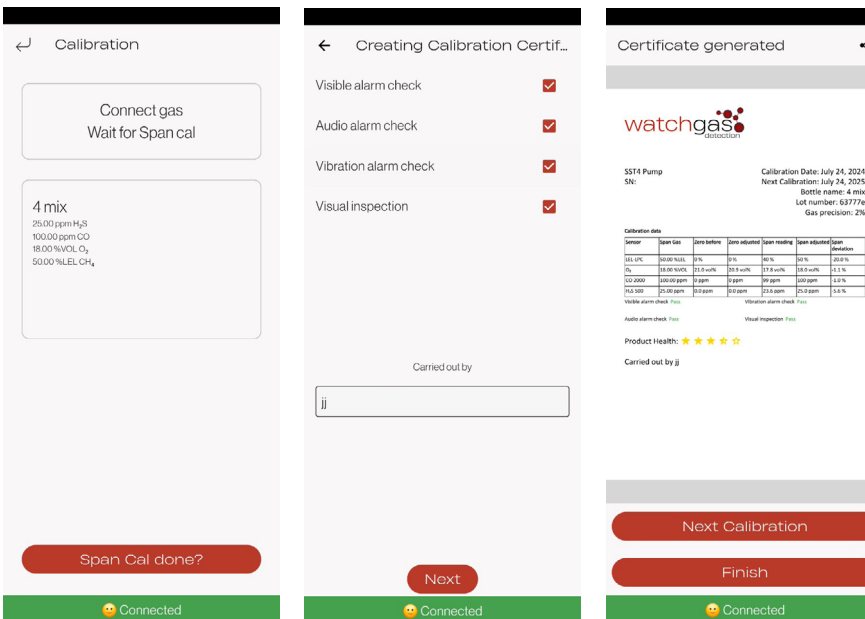
Step 2. Select the gas start zero (wait for device to pass) and connect the span. **NOTE:** If no span gas is detected within 90 seconds, the monitor will go in fail.



Step 3. Confirm span done.

Step 4. Do an inspection check, confirming the visual, audio, and vibrational alarms.

Step 5. The certificate is ready to share.



5.4.3. Fresh Air Calibration

Step 1. Ensure the unit is in a fresh air environment.

Step 2. Activate the NFC on the monitor by pressing the pushbutton on the device for two seconds.

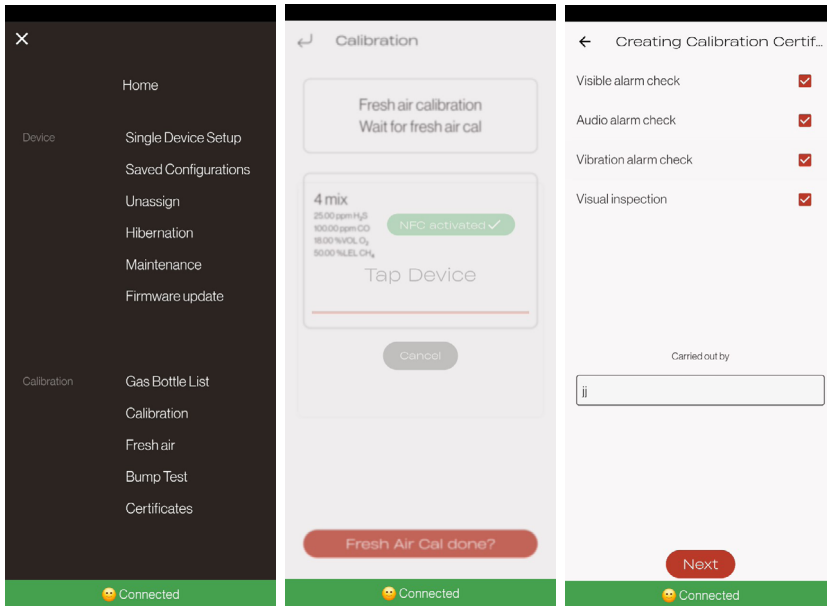
Step 3. Select the Fresh Air option.

Step 4. Wait for the Bump test to finish.

Step 5. Tap the unit again to load the result.

Step 6. Tap units.

Step 7. Tick the box and sign in.



5.5. Bump

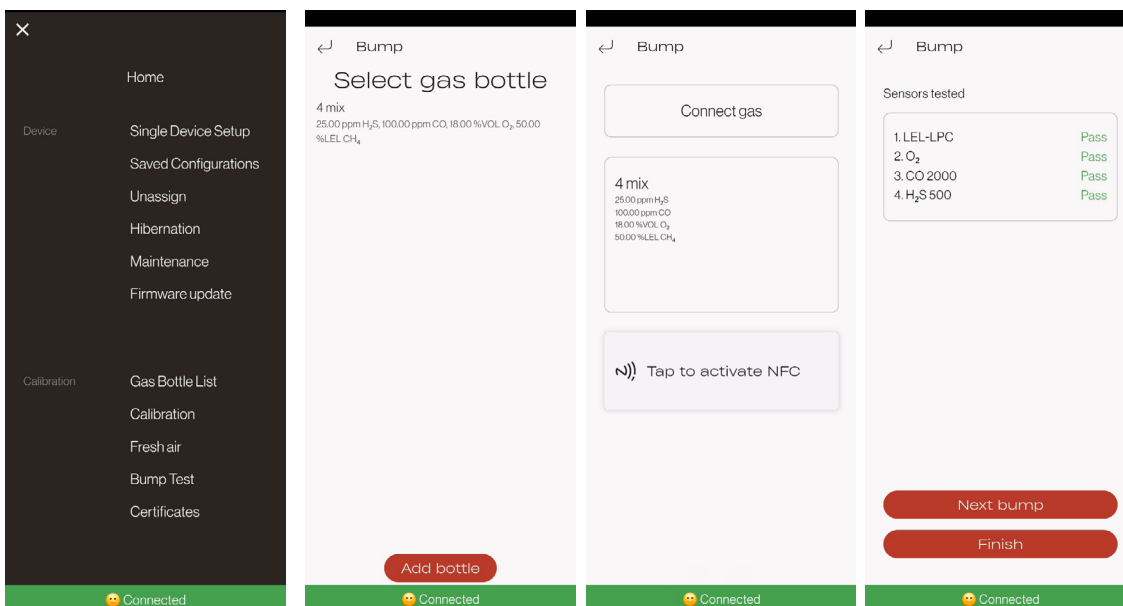
Step 1. Activate the NFC.

Step 2. Select the Bump Test option.

Step 3. Select the bottle from the list. **NOTE:** If individual gas bottle are needed, repeat this step until all sensors are bump tested.

Step 4. When the Detector show PASS progress.

Step 5. End of Bump.



6. Alarms and Notifications

Display screen	Explanation
LOW	Low alarm
High	High alarm
High High	High high – highest alarm level
Low Low	Second low level for Oxygen
STEL	15 min average
TWA	8 hours average
Sensor Err	Sensor error
Low battery	Battery needs charge
Bump due warning	Days to bump
Bump due	Bump due
Cal due warning	Days to calibration due
Cal Due	Calibration due
Vacuum Alr	Vacuum alarm
Pump Err	Pump error

Table 12. Alarms and Notifications

6.1 Low Alarm

Enter the low alarm setpoints for each sensor. Refer to [Factory Gas Alarm Setpoints](#) for factory defined alarm setpoints. Applicable to all sensors.

6.2 Low Low Alarm

Enter the Low Low alarm setpoints for the Oxygen sensor. Refer to [Factory Gas Alarm Setpoints](#) for factory defined alarm setpoints.

6.3 High Alarm

Enter the high alarm setpoints for each sensor. Refer to [Factory Gas Alarm Setpoints](#) for factory defined alarm setpoints. Applicable to all sensors.

6.4 High High Alarm

Enter the High High alarm setpoints for each sensor. Refer to [Factory Gas Alarm Setpoints](#) for factory defined alarm setpoints. Applicable to all sensors.

6.5 TWA Alarm

The time-weighted average (TWA) is a safety measure used to determine the accumulated average exposure to gases. An average is determined using the US Occupational Safety and Health Administration (OSHA) method to ensure that the worker is warned when the maximum average is accumulated.

The US OSHA method is defined as a moving average that accumulates over an 8-hour average. If the worker is in the field longer, the oldest accumulated values (the first hour) are replaced by the newest values (the ninth hour). This continues for the duration of the work shift until the detector is deactivated.

Refer to [Factory Gas Alarm Setpoints](#) for the factory alarm setpoints.

Enter the setpoint in the TWA Alarm field.

6.6 STEL Alarm

The short-term exposure limit (STEL) is the maximum permissible gas concentration a worker can safely be exposed to for short periods of time (15 min).

The STEL Alarm applies to all gases besides LEL and Oxygen.

NOTE: Standard factory Alarm Setpoints vary by region.

Refer to [Factory Gas Alarm Setpoints](#) for OSHA factory settings.

Refer to the applicable regulatory requirements in your area for defining STEL alarm setpoints.

6.6.1 STEL Interval

STEL Interval provides protection for workers from over exposure to high concentrations of gas, and is based on 15 minute intervals. When the maximum STEL is reached, the detector alarms to notify the worker.

Caution

Follow all safety procedures as defined by your employer, and/or local regulations.

7. Event and Data Log

7.1 Datalogs

The detector records various information that can be compiled to create a report. By default, the datalog interval is set to 30 seconds and there are 76936 data logging points in total. This means that the detector is capable of storing 26.7 days' worth of datalogging information if kept at the default 30 second setting.

Users can change this time interval to better fit their preferences. For example, if set the data log interval to 2 minutes, the detector will have 106 days of continuous datalogging. And if set to a 5 second interval, this amounts to 4.5 days of datalogging, and so on.

When the detector memory is full, the detector replaces the oldest datalog with the most recent datalog.

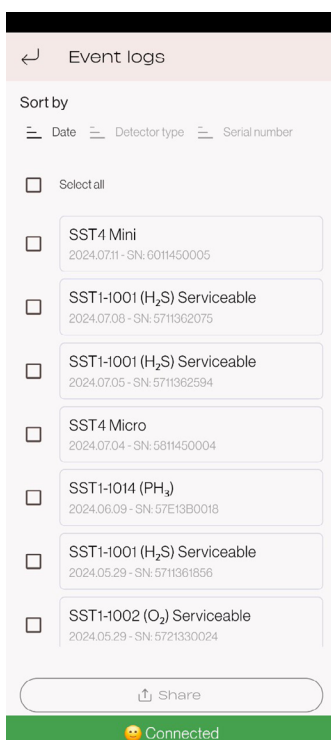
7.2 Event Logs

The detector records the 100 most recent gas alarm events. The following information is recorded:

- Serial number of the detector.
- Start time of the alarm.
- Type, level, and duration of the alarm.
- Peak exposure level (ppm or %).
- Status of the sensors.

7.3 Downloading Datalogs and Event Logs

The datalog and event log files can only be downloaded by means of an SST Dock or the WatchGas Device Link App.



8. Maintenance

To maintain the detector in good operating condition, perform the following basic maintenance as required:

- Calibrate, bump check, and inspect the detector at regular intervals.
- Maintain an operations log of all maintenance, bump checks, calibrations, and alarm events.
- Clean the exterior with a soft damp cloth. Do not use solvents, soaps, or polishes.
- Do not immerse the detector in liquids.

8.1 Maintenance Screen WatchGas Device Link App

In the WatchGas Device Link App settings, navigate to the Maintenance section. Here users can see information regarding the device's operations and readings.



Sensor Health Counts/ppm %	Number of Stars
> 60%	5
> 55%	4
> 50%	3
> 45%	2
> 40%	1
<= 40%	0.5
< 30%	0 (Calibration failed)

NOTE: Once a sensor fails calibration it then needs to be replaced. To ensure good preventive maintenance WatchGas recommends to replace sensors at minimum 1 star. Refer to the [Replacing a Sensor or Sensor Filter](#) section on how to do this.

8.1.1 PPM*Hours

The total accumulated PPM*hours that the device sensor has been exposed to.

8.1.2 Peak Reading

The highest peak reading that the sensor has detected.

8.1.3 Factory Calibration

The factory calibration for the device sensor. Changing a sensor serial number will reset the factory calibration and the first user calibration after replacing the sensor will be the new factory calibration.

8.1.4 Last Calibration

The results of the last sensor calibration.

8.1.5 Last Calibration Date

The date and time when the device sensor's last calibration was performed.

8.1.6 Last Bump Date

The date and time when the device sensor's last bump test was performed.

8.1.7 Serial Number

The device sensor's serial number.

8.1.8 Last Run Time

How long the device has been turned on.

8.1.9 Number of Charges

How many times the device has been charged since it was turned on. This is counted in increments of 10. Which means that, when the device has been charged 10 times, this number will show up as 1.

8.1.10 Minimum Temperature

The minimum temperature that the device has registered.

8.1.11 Maximum Temperature

The maximum temperature that the device has registered.

8.1.12 Alarm Minutes

The amount of time that the device has spent in alarm mode.

8.2 Update Firmware

Users can update the device's firmware to the latest version through the WatchGas Device Link App, or via the [WatchGas SST-Dock](#).

NOTE: updating the Firmware will clear all the datalogs from the device, so always back up all your datalogs before performing a firmware update.

8.3 Replacing a Sensor or Sensor Filter

Warning

This is only to be performed by authorized and trained technicians. Any maintenance requires recalibration.

To avoid personal injury, only use sensors that are specifically designed for the detector. Refer to [Spare Part Lists](#).

Use proper ESD handling practices.

- Each sensor has a high degree of resistance to common vapors and gases. To clear a sensor, move the detector to a non-hazardous environment and wait 10 to 30 minutes before taking it out and using it again.
- Do not expose a sensor to vapors of inorganic solvents such as fumes from paint thinners, or organic solvents such as benzoic acids and acrylic acids.
- Ensure that hands are clean or wear gloves before handling components.

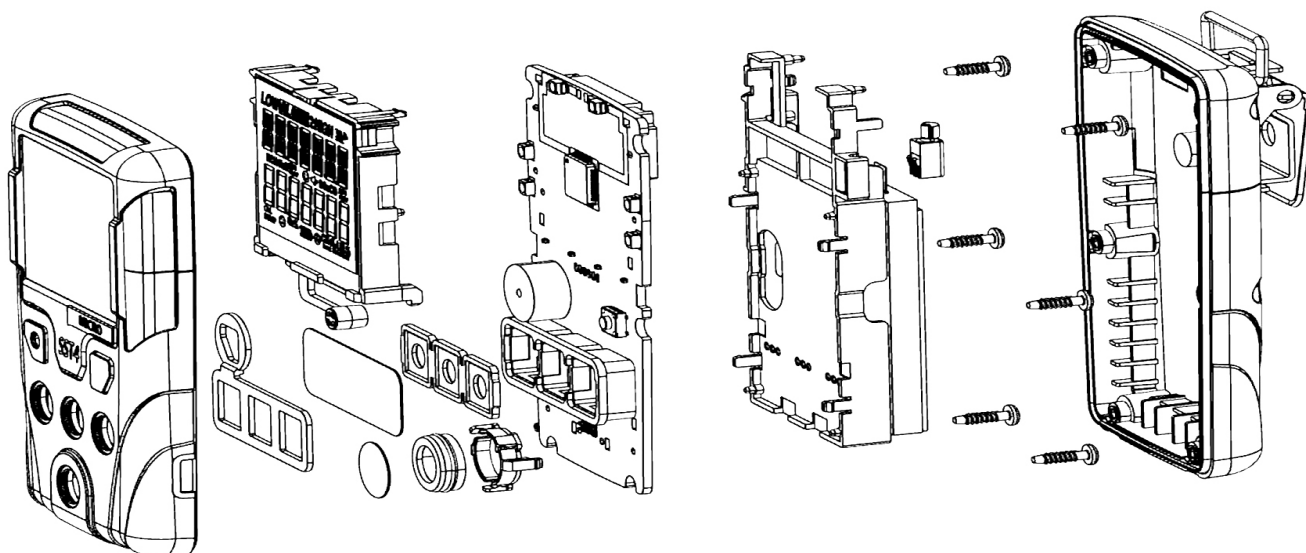


Figure 11. Replacing a Sensor or Sensor Filter for the SST4 Micro

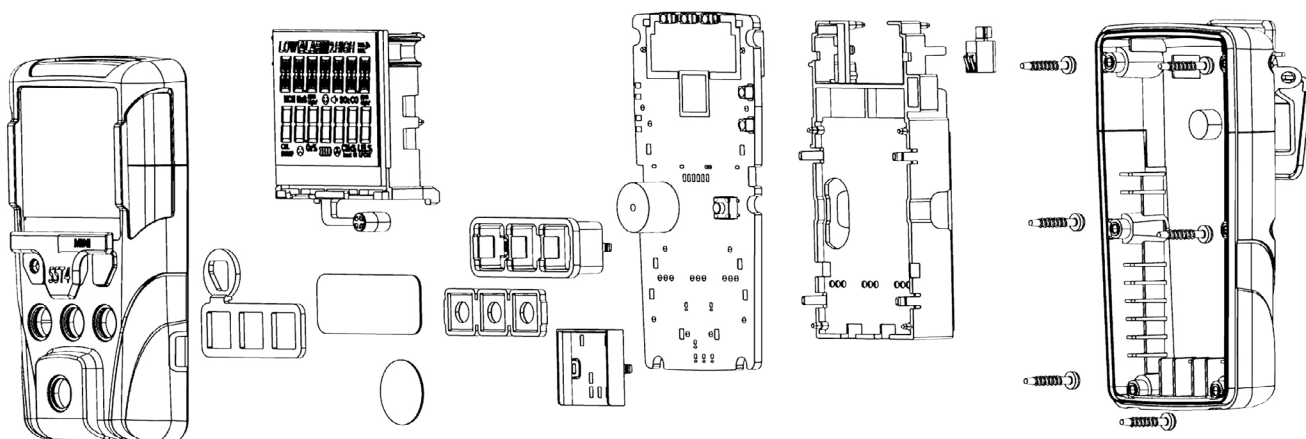


Figure 12. Replacing a Sensor or Sensor Filter for the SST4 Mini

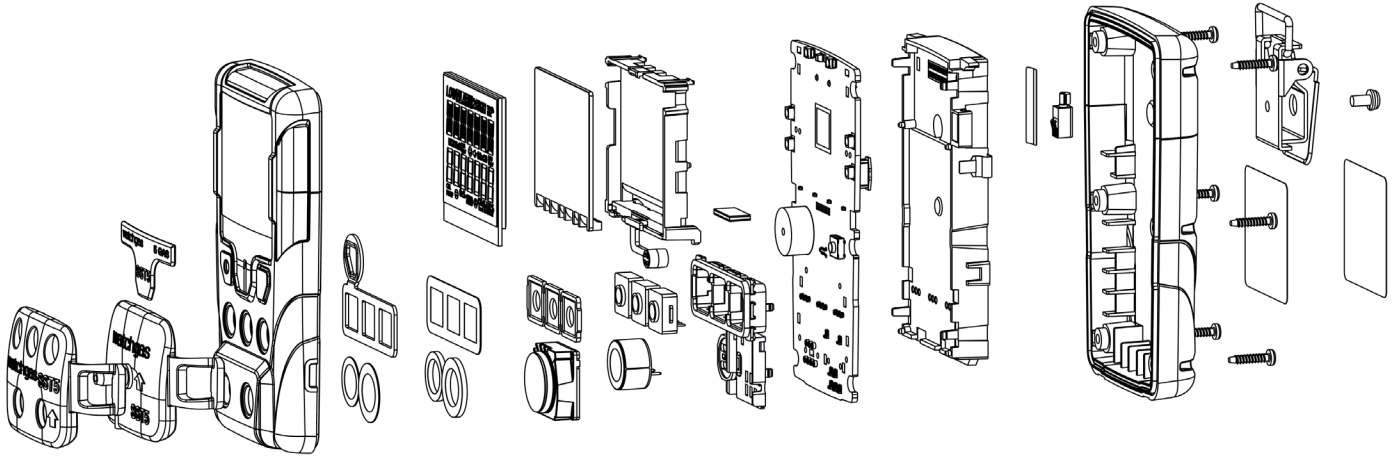


Figure 13. Replacing a Sensor or Sensor Filter for the SST5

8.4. Removing the Back Casing

1. Deactivate the detector. Place the detector face down on a clean, flat surface.
2. Remove the six machine screws on the rear casing.
3. Remove the back cover by lifting the top and the bottom simultaneously upwards.

8.5. Replacing the Sensor Filter

NOTE: when opening the detector, ensure that the PCB is correctly fitted in the housing during reassembly.

Caution

Ensure that no damage occurs to the battery.

4. Remove the old sensor filters.
5. Place the gasket as shown, and then use fingers to apply even pressure to the entire gasket.
6. To reassemble the detector, refer to **Reassembling the detector**.

8.6. Replacing Sensors

1. **NOTE:** when opening the detector, ensure that the PCB is correctly fitted in the housing during reassembly.
2. Make sure to change the sensor SN in the WatchGas Device Link App, and then calibrate the sensor.

Caution

Ensure that no damage occurs to the battery. Only replace the sensor with that same sensor type. Do not replace any sensor, without reconfiguration by qualified technician.

3. Use a small screwdriver to remove the sensor or sensors.

NOTE: Detectors that are configured for 1, 2, or 3 gases may contain a dummy sensor in one of the four sensor locations.

4. Insert the new sensor(s). For sensor positioning, refer to **Figure 12**.
5. To complete the detector, refer to **Reassembling the detector**.

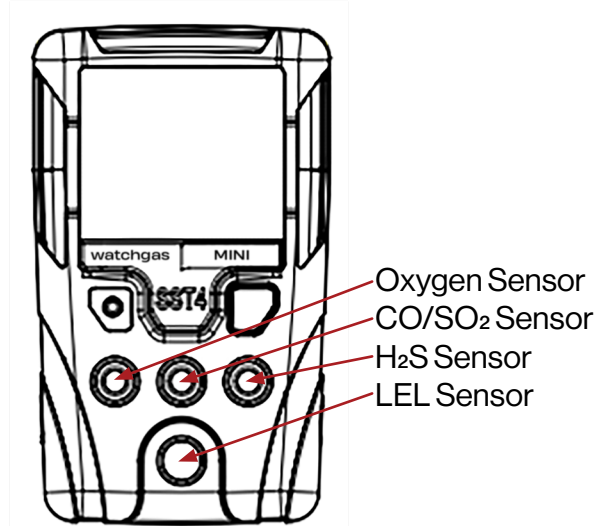


Figure 14. Replacing the H₂S, CO, Oxygen, and LEL sensor on the SST4

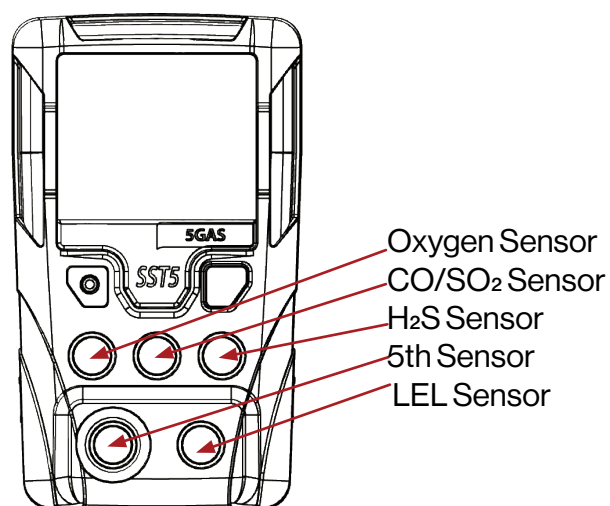
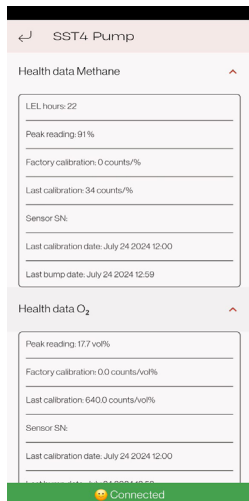


Figure 15. Replacing the H₂S, CO, Oxygen, and LEL sensor on the SST5

8.7 Sensor Signal



PPM*hours - shows the total PPM*hours the sensors have been exposed to. This value is used as an indicator of the sensor usage.

Peak reading – the maximum value the sensor was ever exposed to. This indicates if a sensor should be replaced for safety reasons.

Factory calibration - the first calibration sensor signal expressed in count/ppm.

Last calibration - the last sensor signal output expressed as count/ppm. When this value is 30% of the factory value, the sensor signal is deemed too low to provide a proper signal.

- Press the front and rear shells together firmly to ensure a proper seal. Ensure that the front and rear shell have a uniform, tight 1/16 in (1 mm) seal on all sides of the detector.
- When replacing the screws, they must be seated properly to prevent cross threading. Turn the screw counter-clockwise until a click is heard and then begin tightening the screw clockwise.
- New sensors must be calibrated. Activate the detector and calibrate the sensor(s). Refer to [Calibration](#).

8.8 SST4 Pump Replacement

If a pump does not pass the **Block inlet test**, the unit need to undergo maintenance.

Check **the filters marked 1 and 2 in the picture below**. These filters are the ones that are most likely to be blocked and thus the cause of the problem.

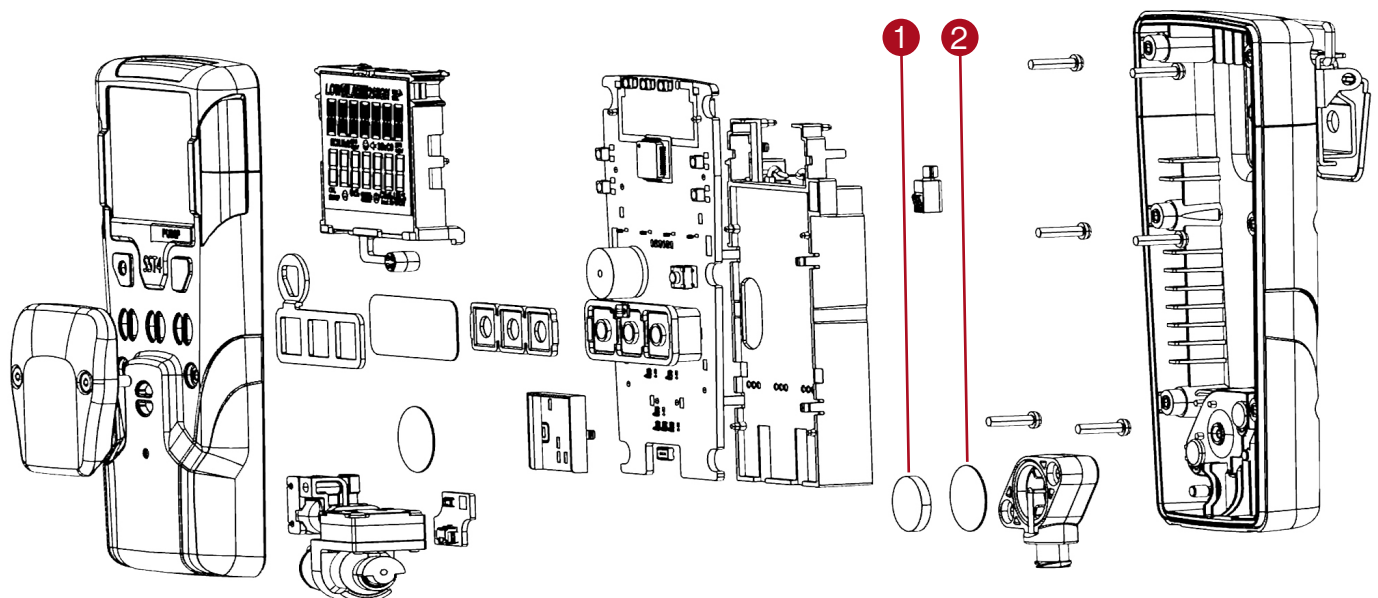
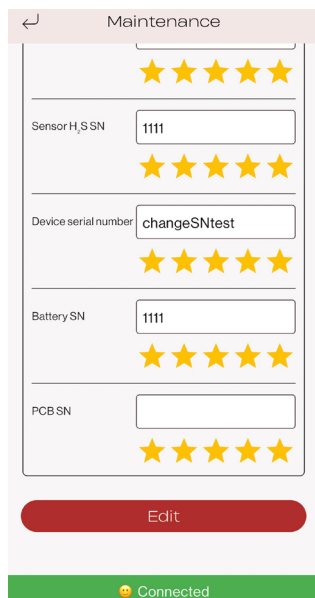


Figure 16. Replacing a Sensor or Sensor Filter for the SST4 Pump

Vacuum and Flow		
Vac (kPa)	0m	30m
20	more than 260 cc/min	more than 200 cc/min

Table 13. Vacuum and Flow

9. Troubleshooting



Troubleshooting of the SST4/SST5 is done through the **WatchGas Device Link App maintenance** section.

This section will indicate what is functioning properly and what is broken. The star rating for sensor health is calculated as the % difference between the factory and the last calibration.

Sensor Health Counts/ppm %	Number of Stars
> 60%	5
> 55%	4
> 50%	3
> 45%	2
> 40%	1
<= 40%	0.5
< 30%	0 (Calibration failed)

NOTE: Once a sensor fails calibration it needs to be replaced. To ensure good preventive maintenance WatchGas recommends to replace sensors at minimum 1 star. Refer to the [Replacing a Sensor or Sensor Filter](#) section.

Problem	Possible Cause	Solution
Detector intermittently enters alarm without reason.	Ambient gas levels are near alarm setpoint, or the sensor is exposed to a puff of the target gas.	Detector is operating normally. Use caution in suspect areas. Check the peak (maximum) gas exposure reading.
	Alarm setpoints defined incorrectly.	Reset alarm setpoints. Refer to Factory Gas Alarm Setpoints and Sensor Configuration .
	Detector requires calibration.	Calibrate the sensors. Refer to Calibration .
	Missing or faulty sensor(s).	Replace the sensor. Refer to Replacing a Sensor or Sensor Filter .
	Lost Real-Time Clock	Battery has been completely drained. Tap the device in the WatchGas Device Link App to reset the real-time clock.
Features and options are not operating as expected.	Changes have been made in the SST Range detector.	Verify that the settings in the SST Range detector are correct.
Charging		
The battery has been charging for 3 hours or 6 hours (SST4 Pump). The charging indicator on the detector LCD shows the battery is still charging.	Battery is trickle charging.	The battery is fully charged and ready for operation.
The battery indicator does not display when charging.	Detector is depleted below normal levels.	Charge the battery for 4 hours. The device may need to be removed from the cradle a few times before it starts the deep charge.
When the detector is activated after charging, the battery indicator does not display.	Battery is defective.	Contact WatchGas.

Table 14. Troubleshooting

9.1 Failure Codes

In the table below, you can find all the failure codes and their most common causes:

ID	Library	Possible fault-cause
1	MOD_ID_HIBERNATE	EM4 devices malfunction
2	MOD_ID_TIMER	Basic ms-timer could not be started
3	MOD_ID_GPIO	One or more gpio-drivers reported an error. See also MOD_ID_EXP_ID2 and MOD_ID_EXP_SST4
4	MOD_ID_I2CO	Recalibrate the unit
5	MOD_ID_LCD	LCD-driver malfunction
6	MOD_ID_GAUGE	Gauge-device not found or wrong version. Might be caused by battery-pack not properly connected
7	MOD_ID_RTC	RT-device not found
8	MOD_ID_DATAFLASH	Dataflash-device not found or wrong version
9	MOD_ID_TEMP	Temperature-device not found or wrong version
10	MOD_ID_SWITCH	HALL-sensor not found or wrong version
11	MOD_ID_GENERAL	Storage-location of the general-configuration corrupt
12	MOD_ID_LOG	Storage-location of the logs corrupt
13	MOD_ID_SENSOR	Storage-location of the sensor-configuration corrupt
14	MOD_ID_TOX	Storage-location of the tox-configuration corrupt, errors during initialization of data
15	MOD_ID_LEL	Undefined lel-configuration, errors during initialization of used sensor
16	MOD_ID_ALARM	Errors during initialization of data for alarm-evaluation
17	MOD_ID_PUMP	Pressure-sensor not found or wrong version
18	MOD_ID_SESSION	Storage-location of the sessions corrupt, errors during initialization of data
19	MOD_ID_CMPL	Storage-location of the compliance-configuration corrupt
20	MOD_ID_STATISTICS	Storage-location of the statistics corrupt
21	MOD_ID_PUMPCTRL	Storage-location of the pump-control data corrupt
22	MOD_ID_USER	One or more user-devices (button, buzzer, vibrator, LCD) reported an error
23	MOD_ID_CMD	One or more communication-devices (NFC, protocol-handler) reported an error
24	MOD_ID_NFC	N/A
25	MOD_ID_EXP_ID2	Expansion-chip not found or different ID
26	MOD_ID_EXP_SST4	Expansion-chip not found or different ID

Table 15. Failure Codes

10. SST5 Xs Sensor, SST5 HCN Sensor Selection, SST5 ETO Sensor, LEL NDIR Sensor, and Cl₂ Sensor

10.1 SST5 Xs Sensor

The WatchGas Xs sensor fitted in the SST5 is utilized for detecting leakages of numerous organic gases and vapors. Although it does not detect as broad a spectrum of gases as a PID sensor, nor does it have the same selectivity.

The key advantage is being able to detect gases that the PID does not measure. It also does not need to be calibrated every day, having instead a six-month calibration interval typical of electrochemical sensors.

Surrogate Calibration

WatchGas recommend to use Isobutylene as the calibration gas. CO can also be used, but make sure there are no gases in the mixture that will respond to the sensor, as that will result in an incorrect calibration.

For a more accurate measurement, perform calibration using the target gas.

Sensor Response to Gas

Gas applied	Readout (in ppm)	Correction Factor
10 ppm ISO	10	1,0
50 ppm CO	53.9	1,08
10 ppm H ₂ S	62.1	6,21
200 ppm H ₂	0.0	0,00
5 ppm NO ₂	--OL	x
10 ppm HCN	2.2	0,22
5 ppm SO ₂	5.6	1,12
50 ppm NH ₃	0.0	x
5 ppm PH ₃	19.7	3,94
10 ppm NO	3.0	0,30
10 ppm Cl ₂	0.0	x
5000 ppm CO ₂	0.0	x
5 ppm C ₆ H ₆	0.0	x
5 ppm C ₄ H ₆	8.2	1,64
100 ppm C ₃ H ₈	0.0	x
100 ppm CH ₄	0.0	x

Table 16. Xs Sensor response to gas

The values shown in the table are standard and apply to new sensors. **NOTE:** The values can fluctuate by ± 30%. The sensor may also be sensitive - either positive or negative - to additional gases. Gas mixtures may be displayed as the sum of all components.

For further information and additional gas response, contact WatchGas.

Setting Alarm Levels

Having a broadband sensor often generates a lot of questions around the alarm point settings.

Users shall set the alarm to the most toxic gas present based on the sensor response to that specific gas.

E.g. H₂S.

As the H₂S respond with a factor setting a alarm at 60 ppm will in this case give a alarm of approximately 10 ppm H₂S. However, if this specific use case also has SO₂, the alarm will not happen until 60 ppm SO₂. Therefore a better alarm would be 5 ppm, as SO₂ would be the most critical gas.

Please contact WatchGas for further information.

10.2 SST5 HCN Sensor Selection

In the WatchGas SST5 there are two HCN sensor options - one with an H₂S filter, and one without an H₂S filter.

In certain applications the HCN sensor response time is more important than the H₂S filtering.

Sensor	T50 10 ppm gas	T90 10 ppm gas	Calibration time	Response to 10 ppm H ₂ S
HCN	30 sec	70 sec	400 sec	22 ppm
HCNF	60 sec	120 sec	500 sec	0 ppm

Table 17. HCN Sensor response

10.3 SST5 ETO Sensor Selection

Lower than -5 °C (23 °F) expect the gas reading to be ± 50%.

NOTE: Do not calibrate over 30 °C (80 °F).

10.4 LEL NDIR Sensor

Using an NDIR sensor in environments with changing temperatures and condensation risk. As a built-in safety feature, a condensation warning **ERR3** is implemented. As soon as the NDIR sensor returns to normal operation - the warning will be reset. Let the unit acclimatize for 15 min if ERR3 is present, often the ERR3 is due to condensation in the sensor.

NOTE: not available for the SST4 Micro.

10.5 SST5 Cl₂ Sensor

Measuring values above 20 ppm have reduced linearity and only confirmed for exposure shorter than 3 minutes.

11. Spare Part Lists

11.1 SST4 Micro and Mini Spare Parts and Accessories List

Part Number	Description	Detail
SST4-MIC-MIN-BAT	WatchGas SST4 Micro / Mini / SST5 Replacement Battery Pack incl. NFC	
SST-SPARE-H	WatchGas SST sensor H ₂ S 0-500 ppm for All (Hydrogen Sulphide)	0-500 ppm
SST-SPARE-M	WatchGas SST sensor CO 0-2000 ppm for All (Carbon Monoxide)	0-2000 ppm
SST-SPARE-O	WatchGas SST sensor O ₂ 0-30% vol. for All (Oxygen)	0-30% Vol
SST-SPARE-S	WatchGas SST sensor SO ₂ 0-100 ppm for All (Sulfur Dioxide)	0-100 ppm
SST-SPARE-X1	WatchGas SST sensor LPC LEL for SST4 Micro	0-100% LEL
SST-SPARE-X2	WatchGas SST sensor HP LEL CAT for SST4 Mini, Pump	0-100% LEL
SST-SPARE-X3	WatchGas SST sensor NDIR LEL for SST4 Mini/Pump/SST5	0-100% LEL
SST4-POUL-10	SST Lanyard Bar, with screws, Pack of 10 (For SST4 Micro/Mini/Pump/SST5)	Stainless Steel
7189203-10	Layard, with breakaway feature, pack of 10	
SST4-MICRO-XFIL-10	SST4 External Filters for Micro, Pack of 10 (auxiliary)	Filter for fine particulates
SST4-MINI-XFIL-10	SST4 External Filters for Mini, Pack of 10 (auxiliary)	Filter for fine particulates
SST4-MICRO-CAL-CAP-10	Calibration Cap for Micro pack of 10	Pack of 10
SST4-MINI-CAL-CAP-10	Calibration Cap for Mini pack of 10	Pack of 10
SST-AG-10	WatchGas SST Replacement Alligator Clip pack of 10 for ALL with screws	
460039	Aluminium Carrying case (for SST4/5)	
SST4-MICRO-RB	Rubber boot with extra anker point	
SST-CAR-CHG	Wireless Car Charger for SST4 Micro/Mini/Pump/SST5	
SST-IND-S	WatchGas SST Induction Cradle charger with (SST-RCH) adapter	
SST-MULTI	Watchgas SST Range 6 Way USB-C Cable with 25Watt Charger with adapter	
SST-DISK-CHR	WatchGas Induction Disk Charger for SST Range with male usb-c cable	
SST-DISK-CHR-F	WatchGas Induction Disk Charger for SST Range with female usb-c port	
SST-RCH	WatchGas Charging Adapter with female usb-c connector port	
SST-STACK-CHR	WatchGas SST Range 5 Way Stackable Charging Cradle, max 4 can be coupled w/o CHR	
SST-5WSSC-CHR	WatchGas Adapter for SST-STACK-CHR can power 4 units	
SST-STACK-COU	SST Range Coupling Cable (link to couple charging stacks)	

Table 18. SST4 Micro and Mini Spare Parts and Accessories List

11.2 SST4 Pump Spare Parts and Accessories List

Part Number	Description	Detail
SST4-PUMP-BAT	WatchGas SST4 Pump Replacement Battery Pack incl. NFC	
SST-SPARE-H	WatchGas SST sensor H ₂ S 0-500 ppm for All (Hydrogen Sulfide)	0-500 ppm
SST-SPARE-M	WatchGas SST sensor CO 0-2000 ppm for All (Carbon Monoxide)	0-2000 ppm
SST-SPARE-O	WatchGas SST sensor O ₂ 0-30% vol. for All (Oxygen)	0-30% Vol
SST-SPARE-S	WatchGas SST sensor SO ₂ 0-100 ppm for All (Sulfur Dioxide)	0-100 ppm
SST-SPARE-X2	WatchGas SST sensor HP LEL CAT for SST4 Mini, Pump	0-100% LEL
SST-SPARE-X3	WatchGas SST sensor NDIR LEL for SST4 Mini/Pump/SST5	0-100% LEL
SST-SPARE-X4	WatchGas SST sensor LPC for SST4 Pump/SST5	0-100% LEL
SST-AG-10	WatchGas SST Replacement Alligator Clip pack of 10 for ALL with screws	
SST4-POUL-10	SST Lanyard Bar, with screws, Pack of 10 (For SST4 Micro/Mini/Pump/SST5)	Stainless Steel
SST-CAR-CHG	Wireless Car Charger for SST4 Micro/Mini/Pump/SST5	
GA-PROB1-1	SST Range probe with hydrophobic and particulate filter need 5x8 Last-O-More tubing	
008-3015-200	RMT Teflon sample kit probe 26 CM with 3 Meters of tubing and built in filter	
008-3015-001	Aluminium Telescopic Probe and Carrying Pouch with PTFE tubing and luer	
GSR-07	Telescopic Probe up to 4m Extendable Body Last-O-More needed 3x5	
GSR-02	Carbon Fiber Probe, teflon insert 1 Meter 5 mm barb	
GSR-04-S-AK	Multifunctional Container Probe w/valve with 1 meter tubing/luer 5mm barb/tube holder	
RVS-G	Stainless Steel Robust Container Probe needs tubing 5mm barb	
560051	Flexible Mailbox Probe with 0.8 meter of Last-O-More tubing 3x5 and luer	
800-0000-006	Fiberglass telescopic 4m Rigid Probe w/filter/luer and Last-O-More tubing	
7182112	WatchGas Ball Float including 3x5 mm reductor needs tubing	
411-0018-038	Last-O-More Tubing 3x5 mm per Meter	
411-0018-039	Last-O-More Tubing 5x8 mm per Meter	
008-3022-010	Water-trap Filters Small pack of 10	
008-3022-100	Water-trap Filters Small -pack of 100	
45518-06	Male Luer 5/32" (5mm x 8mm) Pack of 25	
LAX26-PPO-25	Male Luer 1/8" (3mm x 5mm) Pack of 25	
7189201	Aspirator bulb/pump with flow control for diffusion models with 3 meters of tubing	
GFP-10	Motorized rechargeable ATEX pump for diffusion models (3x5mm tubing needed)	

Table 19. SST4 Pump Spare Parts and Accessories List

11.3 SST5 Spare Parts and Accessories List

Part Number	Description	Detail
SST4-MIC-MIN-BAT	WatchGas SST4 Micro / Mini / SST5 Replacement Battery Pack incl. NFC	
SST-SPARE-H	WatchGas SST sensor H ₂ S 0-500 ppm for All (Hydrogen Sulphide)	0-500 ppm
SST-SPARE-M	WatchGas SST sensor CO 0-2000 ppm for All (Carbon Monoxide)	0-2000 ppm
SST-SPARE-O	WatchGas SST sensor O ₂ 0-30% vol. for All (Oxygen)	0-30% Vol
SST-SPARE-S	WatchGas SST sensor SO ₂ 0-100 ppm for All (Sulfur Dioxide)	0-100 ppm
SPARE-A-E	WatchGas SST sensor NH ₃ 0-100 ppm for SST5 (Ammonia)	0-100 ppm
SPARE-CL ₂ -E	WatchGas SST sensor CL ₂ 0-50 ppm for SST5 (Chlorine)	0-50 ppm
SPARE-HCN-E	WatchGas SST sensor HCN 0-50 ppm for SST5 (Hydrogen Cyanide)	0-50 ppm
SPARE-HCNF-E	WatchGas SST sensor HCN Filtered 0-50 ppm for SST5 (Hydrogen Cyanide)	0-50 ppm
SPARE-NO ₂ -E	WatchGas SST sensor NO ₂ 0-50 ppm for SST5 (Nitrogen Dioxide)	0-50 ppm
SPARE-Xs-E	WatchGas SST sensor Xs 0-100 ppm for SST5	0-100 ppm
SPARE-ETO-E	WatchGas SST sensor ETO 0-100 ppm for SST5 (Ethylene Oxide)	0-100 ppm
SST-SPARE-X3	WatchGas SST sensor NDIR LEL for SST4 Mini/Pump/SST5	0-100% LEL
SST-SPARE-X4	WatchGas SST sensor LPC for SST4 Pump/SST5	0-100% LEL
SST4-POUL-10	SST Lanyard Bar, with screws, Pack of 10 (For SST4 Micro/Mini/Pump/SST5)	Stainless Steel
7189203-10	Layard, with breakaway feature, pack of 10	
SST5-XFIL-10	SST5 External Filters, Pack of 10 (auxiliary)	Filter for fine particulates
SST5-CAL- CAP-10	Calibration Cap for SST5 pack of 10	Pack of 10
SST-AG-10	WatchGas SST Replacement Alligator Clip pack of 10 for ALL with screws	
460039	Aluminium Carrying case (for SST4/5)	
SST5-RB	SST5 Rubber boot with extra anker point	
SST-CAR-CHG	Wireless Car Charger for SST4 Micro/Mini/Pump/SST5	
SST-IND-S	WatchGas SST Induction Cradle charger with (SST-RCH) adapter	
SST-MULTI	Watchgas SST Range 6 Way USB-C Cable with 25Watt Charger with adapter	
SST-DISK-CHR	WatchGas Induction Disk Charger for SST Range with male usb-c cable	
SST-DISK-CHR-F	WatchGas Induction Disk Charger for SST Range with female usb-c port	
SST-RCH	WatchGas Charging Adapter with female usb-c connector port	
SST-STACK-CHR	WatchGas SST Range 5 Way Stackable Charging Cradle, max 4 can be coupled w/o CHR	
SST-5WSSC-CHR	WatchGas Adapter for SST-STACK-CHR can power 4 units	
SST-STACK-COU	SST Range Coupling Cable (link to couple charging stacks)	

Table 20. SST5 Spare Parts and Accessories List

12. Contact details

EMEA

Klaverbaan 121
2908 KD Capelle a/d IJssel
The Netherlands

info@watchgas.com
www.watchgas.com

Americas

313 N. State Hwy 342
Red Oak, TX 75154, USA

info@watchgasusa.com
www.watchgasusa.com

APAC

Woods Square Tower 1,
12 Woodlands Square,
#11-71, Singapore 737715

info@watchgas.com
www.watchgas.com

ANZ

Unit 5, 11 Brand Drive Thomastown,
Victoria 3074 Australia

aus@watchgas.com

SERVICE CENTERS:

EMEA: servicesupportemea@watchgas.com

APAC: servicesupportapac@watchgas.com

NSAM: servicesupportnsam@watchgas.com

ANZ: servicesupportanz@watchgas.com