

Quick Start Guide

SST Range 6-Way Charger

QSG-SST-Range-6-
Way-Charger-Rev 1.0|
21.10.2024|
EN

⚠ CAUTIONS & BEST PRACTICES

- If the SST Range 6-Way Charger appears to be damaged or is not functioning in the correct way, then please get in touch with WatchGas or a local representative.
- For indoor use only.
- Servicing can only be carried out by a WatchGas office or trained service technician.
- Warranty does not cover electrical shock or mechanical shock and/or water damage.

⚠ WARNING

IMPORTANT SAFETY INFORMATION: READ BEFORE USE

- To ensure personal safety, read Safety Information and Warnings before using the SST Range 6-Way Charger.
- Use the SST Range 6-Way Charger only as specified by the manufacturer. Failure to do so may impair protection provided by the SST Charger.
- Follow all required National Electric Codes (NEC) and safety codes.
- Do not attempt to adjust, disassemble, or service the equipment.
- Only use in a well-ventilated space, in normal atmosphere, 20.9% Oxygen and non-hazardous environment.
- Only use the supplied charging adapter, 240V 0.8A.

PREPARE FOR USE

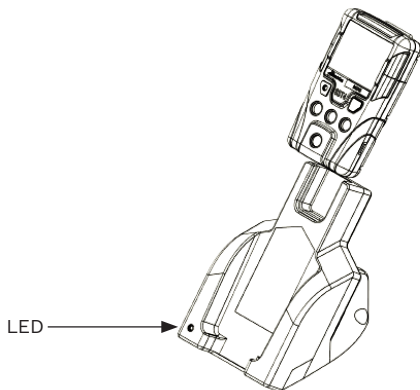
Use only the provided power supply.

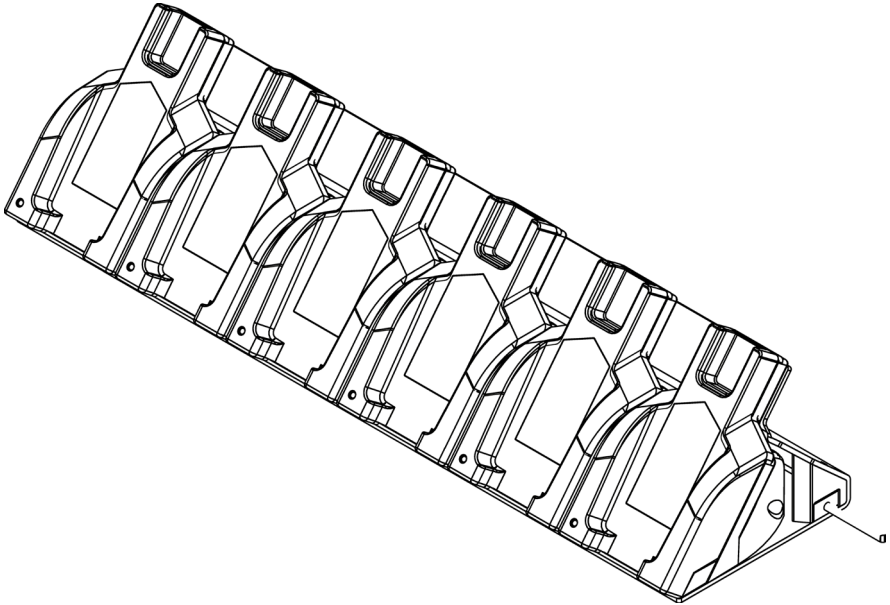
Connect the adapter to main power.

The charger will now blink red-green-red to indicate correct function.

Insert the unit into the charger, as shown in the picture below.

While charging the LED will be red, when fully charged the LED will change to green.





Dimensions (LxWxH): 546 x 155 x 122 mm/
21.49 x 6.10 x 4.80 in

Weight: 2.2 Kg/ 4.85 lbs

Operating Temperature: +0-45 °C/ 32-113 °F

Humidity: 10% to 90% RH

Storage Temperature: 0-50 °C/32-122 °F

Power Supply: 100-240V 0.8A L.P.S.

Device Compatibility: One module
compatible with SST4 Micro, SST4 Mini, SST4 Pump, and SST5.

Warranty: 2 Year warranty

FOR MORE INFORMATION

www.watchgas.com
info@watchgas.com

EMEA

Klaverbaan 121
2908 KD
Capelle aan den IJssel
The Netherlands

APAC

Woods Square Tower 1,
12 Woodlands Square,
#11-71, Singapore 737715

Americas

313 N. State Hwy 342
Red Oak, TX 75154
www.watchgasusa.com
info@watchgasusa.com

ANZ

aus@watchgas.com