



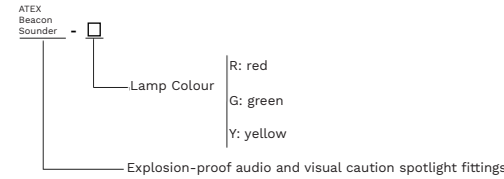
QUICK START GUIDE
ATEX BEACON SOUNDER
EXPLOSION-PROOF
AUDIO AND VISUAL CAUTION
SPOTLIGHT FITTINGS
QSG-ATEX Beacon Sounder
Rev 1.1
EN
2010.7.24

1. APPLICATION

ATEX Beacon Sounder series explosion-proof audio and visual caution spotlight fittings (hereinafter referred to as light fittings) can be used in Zone 1 and Zone 2 hazardous areas (explosive gas atmospheres except coal mine) where IIA, IIB and IIC explosive gas or vapour presents with T1 to T6 classification, and Zone 21 and Zone 22 hazardous areas with combustible dust atmosphere.

It's been widely used for accident signal alarm or signal indication in areas such as chemical plant, stockroom, fueling station, oil drilling platform, oil industry, etc. where presents with 10~24V DC/AC circuit.

2. CATALOGUE NUMBER LOGIC



3. COMPLIANCES

- EN 60079-0, EN 60079-1, EN 60079-11, EN 60079-31
- IEC 60079-0, IEC 60079-1, IEC 60079-11, IEC 60079-31

4. WORKING CONDITIONS

- Ambient temperature: -40°C to +55°C.
- Normal atmospheric pressure: 80kpa (0.8bar) to 110kpa (1.1bar); normal oxygen content is 21%v/v.
- Relative humidity: ≤95%.
- Zone 1, Zone 2; T1 to T6; and Zone 21, Zone 22.
- Areas without gas or vapour which affects the performance of insulation.
- Pollution grade: 3.

5. MAIN TECHNICAL PARAMETERS

EX-MARK		RATED VOLTAGE	
II 2 G Ex d ib IIC T6 Gb II 2 D Ex t IIIC T80°C Db IP66		10~30V DC/AC	
Inlet thread	Sound intensity	Flash frequency	Ingress protection
25X 1.5	100~120dB (R=1m)	70 times/min	IP66

6. MAIN STRUCTURES

- Die-casting copper-free aluminium enclosure, high-pressure static plastic spraying surface.
- High-strength and borosilicate glass tube, light transmission ≥88%.
- The light fittings are supplied with plugs at the cable entries. Cable glands are on request. DQM-II or DQM-III is recommended.

7. INSTALLATION

- The light fittings must be installed by licensed professional.
- Confirm whether the key parameters listed on the nameplate are applicable in the field environment before installation.
- Remove the seal plug at the inlet entry, pass cables through the Ex-cable gland into the light fitting and connect to the terminal. Check if power connection is correct, and screw down lock bolts. In Zone 1, only compound barrier cable gland can be used, while in Zone 2, both compound barrier cable gland and rubber seal cable gland are acceptable.
- The light fittings should be earthing internally and externally.
- Details of wiring as follows (Attached Drawing 2).
- Schematic diagram (Attached Drawing 3).

8. INSPECTION AND MAINTENANCE

- Light fittings shall be maintained regularly in order to ensure product performance. Contact us for spare parts if required.
- Light fitting power must be cut off before maintenance.
- Protect flameproof thread properly during maintenance.
- Make sure electrical clearance and creepage distance are according to the standard.
- 'Intrinsic safety' buzzer control panel has been debugged and encapsulated by epoxy resin. Disassembling is not permitted. Contact us for purchasing and replacing it in time if damaged accidentally.

9. OUTLINE DIMENSION (REFER TO ATTACHED DRAWING 1)

(Dimension unit is mm)-subject to alteration

10. TRANSPORTATION

Weatherproof measures should be taken during transportation.

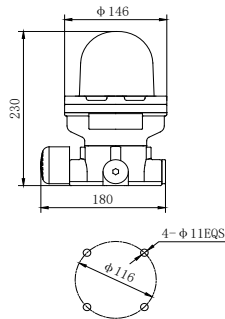
11. STORAGE

- The light fittings should be stored in ventilated, non-dropping and non-liquid warehouse at the temperature of -40°C to +55°C and relative humidity ≤95%.
- The surroundings should be kept from corrosive gases which may damage metal and insulation.

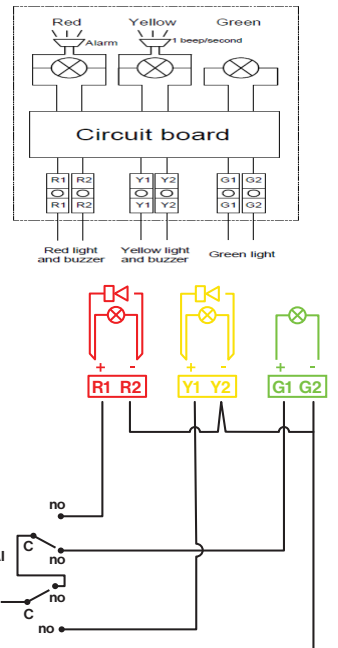
12. ORDERING INFORMATION

Please specify the ordering code and quantity according to catalogue number logic when ordering. Mark special requirement if any.

ATTACHED DRAWING 1

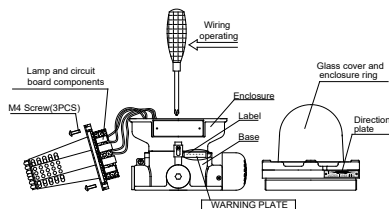


ATTACHED DRAWING 2



*cut blank cable Y1 to mute fault sound

ATTACHED DRAWING 2



EU DECLARATION OF CONFORMITY

Konformitätserklärung
Declaration of conformity
Déclaration de conformité

We declare under our sole responsibility that the following products fulfill the relevant directives:

1) ATEX directive 2014/34/EU
- Explosion-proof audio and visual caution spotlight fittings: BBJ81
II 2 G Ex d ib IIC T6 Gb
II 2 D Ex t IIIC T80°C Db IP66
Standards applied:
- EN 60079- 0 (2009) - EN 60079- 1 (2007)
- EN 60079- 11 (2007) - EN 60079- 31 (2009)
- EC type certificate: LCIE 11 ATEX 3111X
- Quality notification: PTB 03 ATEX Q082-6

2) EMC directive 2014/30/EU
Standards applied:
- EN 55015 (2013)

Place and date: SHANGHAI Jan 20, 2022 President: [Signature]

EC type certificate has been issued by LCIE (Laboratoire Central des Industries Electriques).
33. av du Général Leclerc
BP8
92266 Fontenay-aux-Roses cedex
France

DECLARATION

In order to ensure product performance, please do not change the product structure or replace the accessories without our permission, otherwise our company will not take any responsibility. (610464012501)

QUICK START GUIDE

FOR MORE INFORMATION
www.watchgas.com
info@watchgas.com

EUROPE

Klaverbaan 121
2908 KD Capelle aan den IJssel
The Netherlands

AMERICAS

313 N. State Hwy 342
Red Oak, TX 75154

APAC

Woods Square Tower 1,
12 Woodlands Square,
#11-71, Singapore 737715