

XDIwin-F1

Hazardous area gas detector

Remote fixed gas detection
offering local control and display C759E



KEY FEATURES

- UKEX / ATEX / IECEx explosion proof
- Robust and weatherproof
- 3 alarm points (see relay option)
- Addressable or stand alone
- CANbus, 4~20mA outputs
- Wide range of gas types/sensors
- Data logging
- Adjustments – non intrusive magnet/manual/ hyperterminal/digital-push button
- Backlit alphanumeric full status display
- Wide range of accessories
- Optional: 3 selectable alarm relays
- Cable entry 25mm, 3/4 NPT

The XDIwin-F1+ Gas Sensor is capable of utilising a wide range of sensor cell types offering an unmatched number of gases that may be monitored. Standard 4~20mA signaling with CANbus address enables the sensors to be networked via the WatchGas Combi control system or customer preferred monitoring systems. Adjustments to menu settings and readings may be made by a single magnet without the removal of the enclosure lid, alternatively push button adjustment is accessible by removing the lid.

XDIwin-F1

Hazardous area gas detector



Remote Fixed Gas Detection offering local control and display
C759E

SPECIFICATIONS

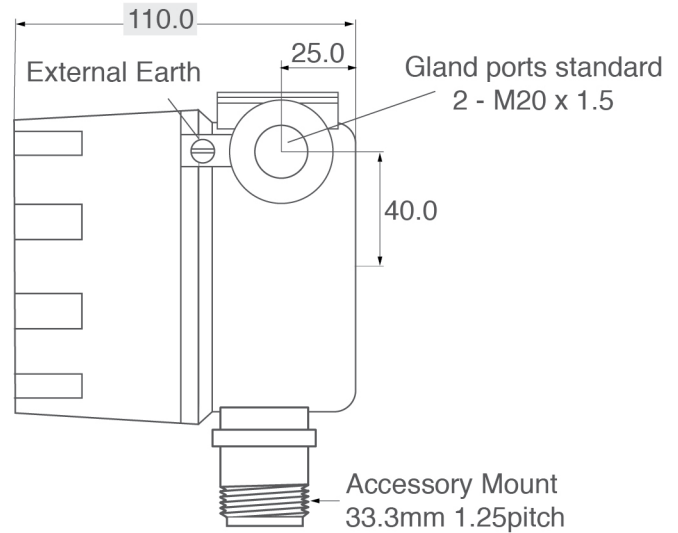
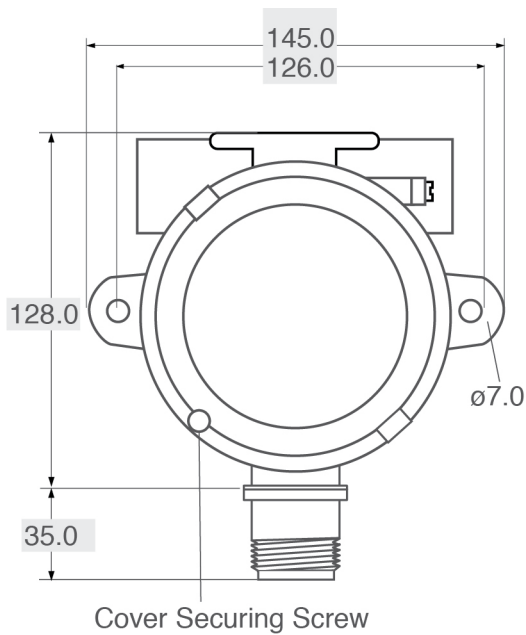
WEIGHT	1.6 kg
TEMPERATURE	-15°C to +55°C For hazardous area use see temperature ranges (certification)
HUMIDITY	5 to 95% RH (Non-condensing)
INDICATORS	Alarm – Red LED Fault – Amber LED (flashing when in inhibit)
HOUSING MATERIAL & FINISH	Copper free aluminium alloy, optional stainless steel Chemical resistant epoxy paint RAL 9003 – Signal White Marine grade finish F1 sensor material – Stainless Steel 316
DATA LOG	Intervals - variable time Roll over/stop Storage - 2,880 readings
RELAYS (OPTIONAL)	1, 2, 3 Individual alarm relay selection Low, High, Overrange, Fault Default setting: 1 – Low alarm 2 – High alarm 3 – Fault alarm Rating 3A (non inductive) @30vDC S.P.C.O Inhibit option during servicing Delay to activate 0~255s Relay off delay 0~255s
POWER SUPPLY	18 to 30vDC 24v nominal Power consumption – 4W full alarm
OUTPUTS	3 wire – 4~20mA sink/source (Direct) 4 wire – CANbus (Addressable)
CABLE ENTRY	2 x M20 - 1.5 pitch - alternatives 25mm - 3/4 NPT
IP RATING	IP64 + water shield IP65 with hydrophobic screen IP66
SAFETY CERTIFICATION	Explosion Proof UKEX (C1971) ATEX (C1969) IECEx (C1970) II 2GD Ex db IIC T6...T4 Gb Ex tb IIIC T85°C...T135°C Db Ta = -20°C ≤ Ta ≤ +35°C... +75°C (XDIwin +F1, F1+ and F1+S) Ta = -20°C ≤ Ta ≤ +35°C... +85°C (XDI +F1, F1+ and F1+S)
SENSOR INSERTS – 4 SERIES	Infra Red, Electrochemical, Catalytic, Semiconductor, PID
GAS TYPE / RANGE	Flammable gases – LEL / % vol Toxic gases – ppm/ppb Oxygen % vol, depletion/enrichment
TRANSMITTER TECHNICAL DATA	Documents: Flammable – C1883 Toxic/Oxygen– C1882
ACCESSORIES	003-010 Collector Cone & Universal Fitting 003-020 Universal fitting (Test gas applicator/ spray deflector) 003-035 Water Shield - stainless steel 008-311 Flow Block - nylatron 008-310 Flow Block - stainless steel 003-090 Duct Mount Kit 003-083 Detector Head Weather Shield 003-130 F1 Sensor Thermal Jacket

XDIwin-F1

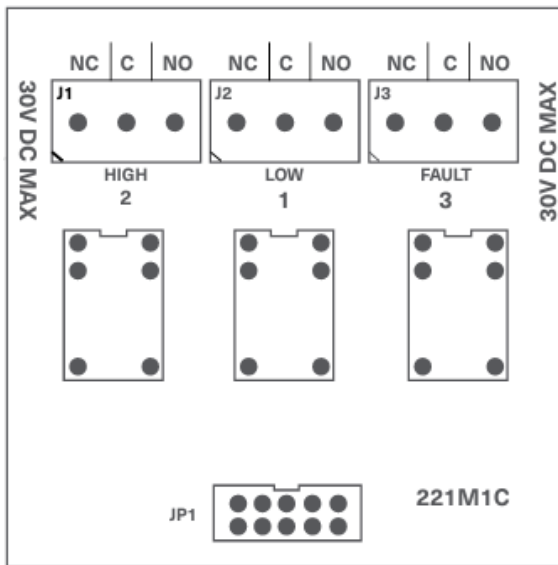
Hazardous area gas detector



Remote Fixed Gas Detection offering local control and display
C759E



THREE RELAY PCB – OPTION



FOR MORE INFORMATION

www.watchgas.com
info@watchgas.com

Distributed by

WatchGas XDIwin-F1 C759E DS EN 05-03-24 v3.1 © 2024 WatchGas B.V.
WatchGas is dedicated to continuously improving its products. Therefore, the specifications and features mentioned in this datasheet are subject to change without prior notice.