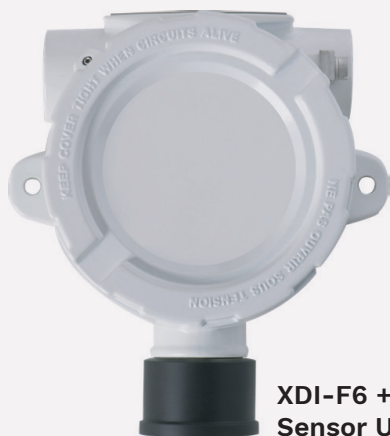


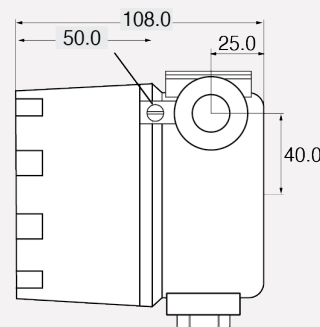
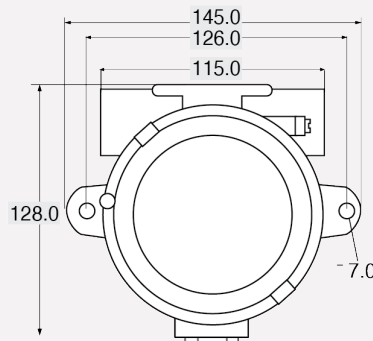
XDI-F6

Hazardous area gas detector

Specification Sheet ref C959 B v.1



**XDI-F6 +
Sensor Universal Fitting**



| JUNCTION BOX | |
|--------------------|----------------------------------------------------------------------------------------------------------------------|
| JUNCTION BOX | Flame proof |
| CLASSIFICATION | II 2G Ex db IIC T6...T5 Gb II 2D Ex tb IIIC T85°C...T100°C Db |
| CERTIFICATE | Certificate No. FTZU-10ATEX0164X |
| LID/BASE | Thread type with lock screw - 2mm |
| INGRESS PROTECTION | IP66 |
| MATERIAL | Body & Cover aluminium alloy Option - stainless steel |
| FINISH | Standard - chemically resistant epoxy paint Option - marine grade finish |
| ENTRIES | Two entry 20mm 1.5 pitch standard alternative 25mm 3/4 NPT |
| MOUNTING DETAIL | Two M5 (126mm CRS) |
| WEIGHT | XDI-1.2Kg XDI-win-1.5kg |
| APPROX. DIMENSIONS | XDI: 115mm W x 108mm H XDI-win: 115mm W x 130mm H |
| TEMPERATURE | -15°C to +55°C - safe area use For hazardous area use, see temperature ranges on C1227 (Ex certification summary) |

| DETECTOR HEAD | |
|--------------------|---------------------------------------------------------------------------------------------------------------------------------------------------------------------------------------|
| TYPE - F6 | Data Sheet Ref C994 |
| CLASSIFICATION | ATEX/IECEX Exd IIC T6 - T3 Ex tb IIIC T85°C - T200°C |
| CERTIFICATE | Sira-08ATEX 1313X IECEX SIR 08.0123X |
| LID/BASE | Thread type with lock screw - 2mm |
| INGRESS PROTECTION | IP63 +universal fitting IP64 +hydrophobic filter IP65 |
| SENSOR INSERTS | Electrochemical Pellistor catalytic |
| MOUNTING THREAD | 20mm 1.5mm Pitch |
| MATERIAL | Stainless Steel 316 S16 |
| ACCESSORIES | Universal Fitting Pt No. 003-060 (weather cone/test gas fitting) Collector Cone & Universal Fitting Pt No. 003-062 Flow Block Pt No. 003-063 |