

WATCHGAS XDI-F1

Hazardous area gas detector C744



KEY FEATURES

- Explosion proof
- CANbus / 4~20mA outputs
- Addressable or standalone
- Rugged and reliable
- Optional 2 alarm relays plus fault relay or 3 alarm relays
- One man calibration
- Data logging
- Wide range of gas types / sensors
- Hyperterminal communications / RS232 - live data and set up with 232 adapter

The XDI-F1 Gas Sensor is capable of utilising a wide range of sensor cell types offering an unmatched number of gases that may be monitored. Standard 4~20mA signaling with CANbus address enables the sensors to be networked via the WatchGas Combi control system or customer preferred monitoring systems.

SPECIFICATIONS

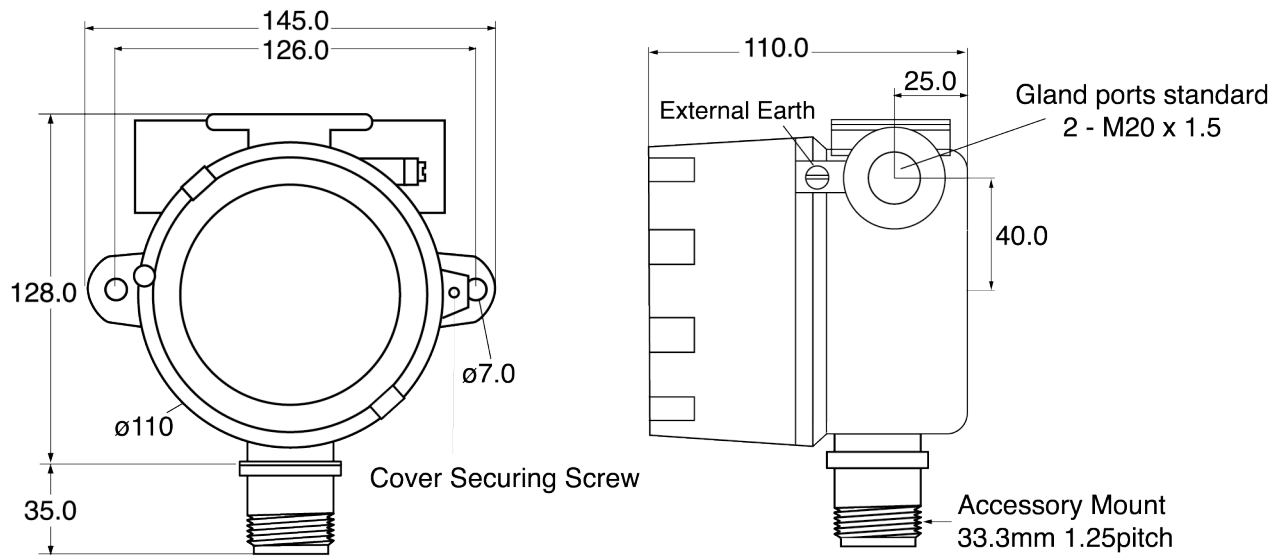
WEIGHT	1.6kg
TEMPERATURE	-15°C to +55°C - safe area use For hazardous area use see temperature ranges on C1227 (Ex certification summary)
HUMIDITY	5 to 95% RH Non-condensing
ALARM SIGNAL	1, 2, 3 and Fault Alarms - mutable Visual: Two line alpha numeric back lit display Power - Green LED Alarms 1, 2, 3 - Red LEDs Fault - Amber LED Alarms inhibit - Amber LED
HOUSING & MATERIAL	Housing Material: Copper free aluminium alloy, optional stainless steel Sensor Material: Stainless steel 316S16 Finish: Chemical resistant epoxy paint / RAL 9003 signal white Optional: Marine grade finish
DATA LOG	Addressable sensors only Intervals - variable time, rollover/stop Storage - 2,880 readings
POWER SUPPLY	18 to 35vDC 24v nominal
OUTPUTS	3 wire 4~20mA / 4 wire CANbus Optional relays: <ul style="list-style-type: none"> • Low alarm S.P.C.O • High alarm S.P.C.O • Fault alarm S.P.C.O • Inhibit option during servicing Rating 0.5A @30vDC
CABLE ENTRY	2 x M20 - 1.5 pitch - alternatives 25mm - 3/4 NPT
IP RATING	IP64 + water shield IP65 with hydrophobic screen IP66
EMC	EN 50270
SAFETY CERTIFICATIONS	Explosion proof ATEX IECEx II 2G Ex db IIC T6...T4 Gb II 2D Ex tb IIIC T85°C...T135°C Db
SENSOR TYPE	Infra Red, Electrochemical, Catalytic, Semiconductor, PID
GAS TYPE / RANGE	Flammable gases - LEL / %Vol Toxic gases - ppm/ppb Oxygen %vol
ACCESSORIES	Collector Cone & Universal Fitting Universal fitting (Test Gas Applicator/Spray Deflector) Water Shield - stainless steel Flow Block - nylatron Flow Block - stainless steel Duct Mount Kit Detector Head Weather Shield F1 Sensor Thermal Jacket

AVAILABLE GASES

GASES	MEASURING RANGE
FLAMMABLE GASES (LEL)	0~100% LEL Catalytic Hydrocarbons, NH ₃ , H ₂
	0~100% LEL Catalytic Hydrocarbons
	0~100% LEL Catalytic Kerosene
O ₂ Oxygen	0~25% Vol Electrochemical
CO Carbon Monoxide	0~200ppm Electrochemical
H ₂ S Hydrogen Sulfide	0~50ppm Electrochemical
SO ₂ Sulfur Dioxide	0~5ppm Electrochemical
NO ₂ Nitrogen Dioxide	0~5ppm Electrochemical
PH ₃ Phosphine	0~10ppm Electrochemical
H ₂ Hydrogen	0~2000ppm Electrochemical
CL ₂ Chlorine	0~10ppm Electrochemical
HCN Hydrogen Cyanide	0~10ppm Electrochemical
NO Nitric Oxide	0~10ppm Electrochemical
HCL Hydrogen Chloride	0~10ppm Electrochemical
O ₃ Ozone	0~1ppm Electrochemical
NH ₃ Ammonia	0~100ppm Electrochemical
	0~1000ppm Electrochemical
	0~5000ppm Electrochemical
ETO Ethylene Oxide	0~25ppm Electrochemical
ClO ₂ Chlorine Dioxide	0~1ppm Electrochemical
HF Hydrogen Fluoride	0~10ppm Electrochemical
H ₂ O ₂ Hydrogen Peroxide	0~100ppm Electrochemical
Refrigerant Gases	0~1000ppm Semiconductor
VOC PID 10.6 eV Range	0~1000ppm
IR Flammable	Hydrocarbon 0~100% LEL / 0~100 %vol
IR CO ₂	CO ₂ 0~5000 ppm / 0~2 %vol.(Standard) / 0~10 %vol. (Max Range)
	CO ₂ 0~100 %vol
Formaldehyde	0 - 10 ppm

WATCHGAS XDI-F1

Hazardous area gas detector C744



FOR MORE INFORMATION

www.watchgas.com

info@watchgas.com

WatchGas XDI-F1 C744 DS EN 31-05-23 v3.1 © 2022 WatchGas B.V.
WatchGas is dedicated to continuously improving its products. Therefore, the specifications and features mentioned in this datasheet are subject to change without prior notice.



Distributed by