

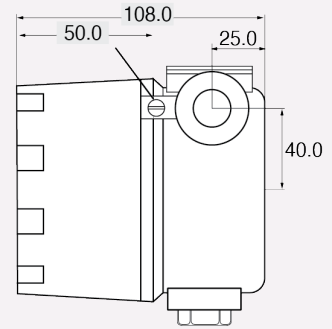
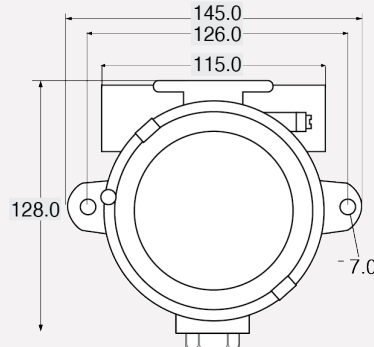
# XDI-F6

## Hazardous area gas detector

Specification Sheet ref C959 B v.1



**XDI-F6 +  
Sensor Universal Fitting**



JUNCTION BOX	
JUNCTION BOX	Flame proof
CLASSIFICATION	II 2G Ex db IIC T6...T5 Gb II 2D Ex tb IIIC T85°C...T100°C Db
CERTIFICATE	Certificate No. FTZU-10ATEX0164X
LID/BASE	Thread type with lock screw - 2mm
INGRESS PROTECTION	IP66
MATERIAL	Body & Cover aluminium alloy Option - stainless steel
FINISH	Standard - chemically resistant epoxy paint Option - marine grade finish
ENTRIES	Two entry 20mm 1.5 pitch standard alternative 25mm 3/4 NPT
MOUNTING DETAIL	Two M5 (126mm CRS)
WEIGHT	XDI-1.2Kg XDI-win-1.5kg
APPROX. DIMENSIONS	XDI: 115mm W x 108mm H XDI-win: 115mm W x 130mm H
TEMPERATURE	-15°C to +55°C - safe area use For hazardous area use see temperature ranges on C1227 (Ex certification summary)

DETECTOR HEAD	
TYPE - F6	Data Sheet Ref C994
CLASSIFICATION	ATEX/IECEX Exd IIC T6 - T3 Ex tb IIIC T85°C - T200°C
CERTIFICATE	Sira-08ATEX 1313X IECEX SIR 08.0123X
LID/BASE	Thread type with lock screw - 2mm
INGRESS PROTECTION	IP63 +universal fitting IP64 +hydrophobic filter IP65
SENSOR INSERTS	Electrochemical Pellistor catalytic
MOUNTING THREAD	20mm 1.5mm Pitch
MATERIAL	Stainless Steel 316 S16
ACCESSORIES	Universal Fitting <b>Pt No. 003-060</b> (weather cone/test gas fitting)  Collector Cone & Universal Fitting <b>Pt No. 003-062</b>  Flow Block <b>Pt No. 003-063</b>