

RED LINE PRIME XDI-F1

Carbon dioxide infra red gas sensor

Specification sheet ref C1621 Av2



KEY FEATURES

- ATEX/IECEX explosion proof
- CANbus/ 4~20mA output
- Addressable or standalone
- 3 alarm points
- Optional 2 alarm relays plus fault relay or 3 alarm relays
- Robust and weatherproof
- Data logging
- Hyperterminal communications RS232
- Automatic diagnostic system surveillance and fault monitoring

The Red Line Prime sensor uses proven non-dispersive single beam dual-wave length infrared principles to detect and monitor the presence of gases. This non-poisoning sensing technique relies on the target gas having a unique well-defined absorption signature. This is used to identify the presence of the target gas and is highly specific. Using a suitable infrared source, an analysis of the optical absorption through the gas allows the concentration of the target gas to be determined. All sensor driving is internal to the transmitter and full fault monitoring of the sensor and transmitter is continuous.

This information relates to the device operating continuously. The device may be calibrated for other gases.

CARBON DIOXIDE SENSOR	
Operation – continuous diffusion	NDIR (dual wave-length)
Measuring Range	Prime 2 0~2000 ppm 0~5000 ppm 0~2% volume 0~5% volume 0~10% volume Prime 3 0~100% volume
Accuracy	± 5% F.S.D
Warm up time to zero	< 30 seconds
Response time to target gas T90	< 35 seconds
Long term zero drift	± 5% F.S.D
The 4~20mA output provides a fault indication by reducing the output to below 2mA, with the recovery from fault condition being automatic.	

RED LINE PRIME XDI-F1

Carbon dioxide infra red gas sensor



Specification sheet ref C1621 Av2

ELECTRICAL DATA	
INPUT VOLTAGE – 3 WIRE DEVICE	18 to 35v DC – 24v DC nominal (polarity protected)
OUTPUT	4~20mA (selectable as sink or source)
FAIL SIGNAL	4~20mA reduced to 2mA
MAXIMUM CURRENT CONSUMPTION	130mA
MAXIMUM LOOP RESISTANCE IN SOURCE MODE	250R
RESOLUTION	0.15% of span
OUTPUT RESOLUTION	0.02mA
MAXIMUM OFFSET DRIFT	± 20uA
RELAYS – OPTIONAL	Low / high / fault alarms S.P.C.O. 0.5A @30v DC
LOGGING	Intervals - variable time Rollover/stop Storage - 2880 readings
DISPLAY	2 line alpha numeric backlit status display - gas type, concentration units, alarm levels, alarm status low/high/over-range, inhibit, sensor ID
MECHANICAL DATA	
CERTIFICATION	Explosion proof ATEX-IECEx II 2G Ex db IIC T6...T4 Gb II 2D Ex tb IIIC T85°C...T135°C Db
REPLACEABLE PLUG IN SENSOR	In-situ
SENSOR ACCESSORY MOUNTING THREAD	33mm ø 1.25 pitch – 6 full threads
ENCLOSURE – TYPE XDI	Aluminium alloy - optional stainless steel
GAS SENSOR – TYPE F1	Stainless steel – 316 S16
WEIGHT	3.95 Kg
CABLE ENTRY	One – 20 mm 1.5 pitch Options 25 mm – 3/4 NPT
MOUNTING DETAIL	Two M5 (126 mm CRS)
APPROXIMATE DIMENSIONS-TERMINAL ENCLOSURE	126 mm dia. 83 mm deep

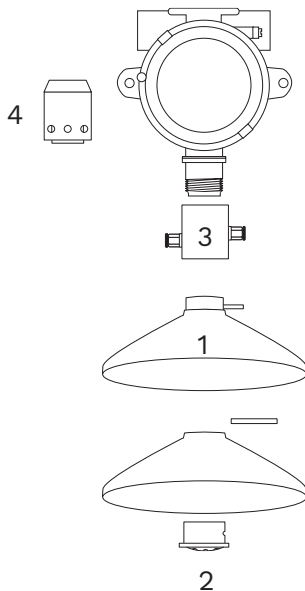
RED LINE PRIME XDI-F1

Carbon dioxide infra red gas sensor

Specification sheet ref C1621 Av2

ENVIRONMENTAL DATA	
IP64 + water shield IP65 with hydrophobic screen IP66	
OPERATING CONDITIONS	5 to 95% RH non-condensing
TEMPERATURE	-15 ~ +55°C - safe area use for hazardous area use see temperature ranges on C1227 (Ex certification summary)
STORAGE CONDITIONS	0~99% RH non-condensing -20 ~ +60°C

ACCESSORIES



1. Collector Cone + universal fitting
 2. Universal Fitting (Test gas applicator spray deflector)
 3. Flow Block - nylatron
 3. Flow Block - stainless steel
 4. Water Shield - stainless steel
- Duct Mount Kit
--- Detector head Weather Shield
--- F1 sensor Thermal Jacket

This document is not contractual and the equipment specification may be modified at any time without prior notice.